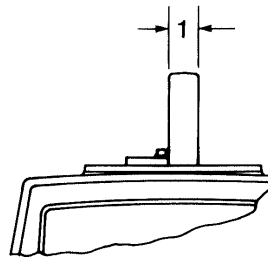
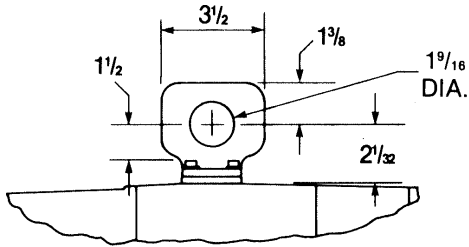
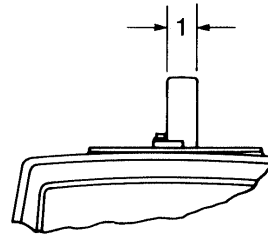
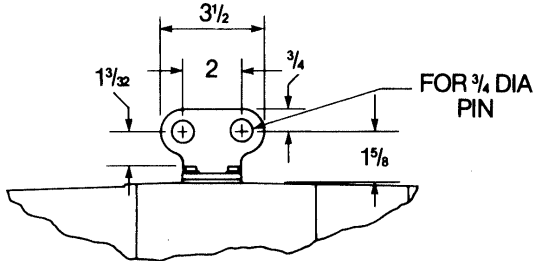


For more information contact:
American Crane & Equipment Corp.
Authorized Distributor
Tel: 877-503-2972
Fax: 484-945-0430
sales@americancrane.com
www.americancrane.com

Lug Suspension — 1/4 to 3 Tons (EC-1 Models)



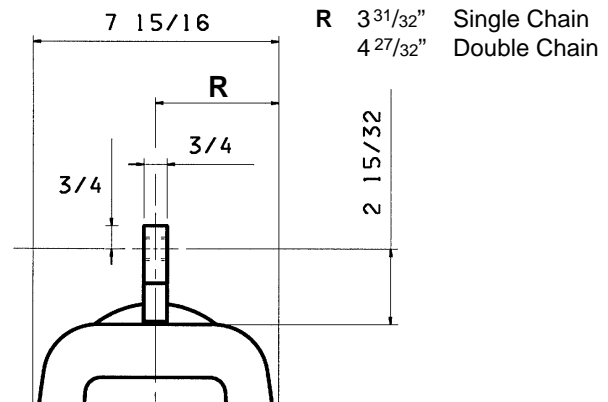
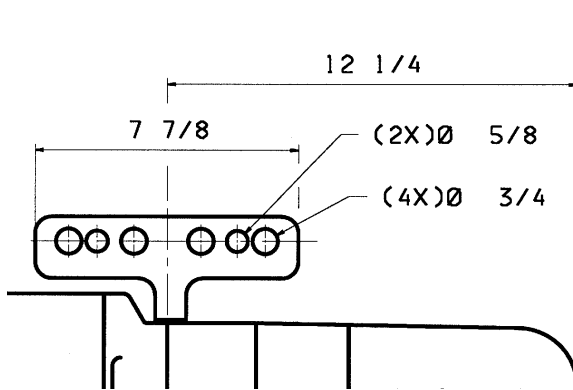
**Multipurpose Lug
(50JG22)**



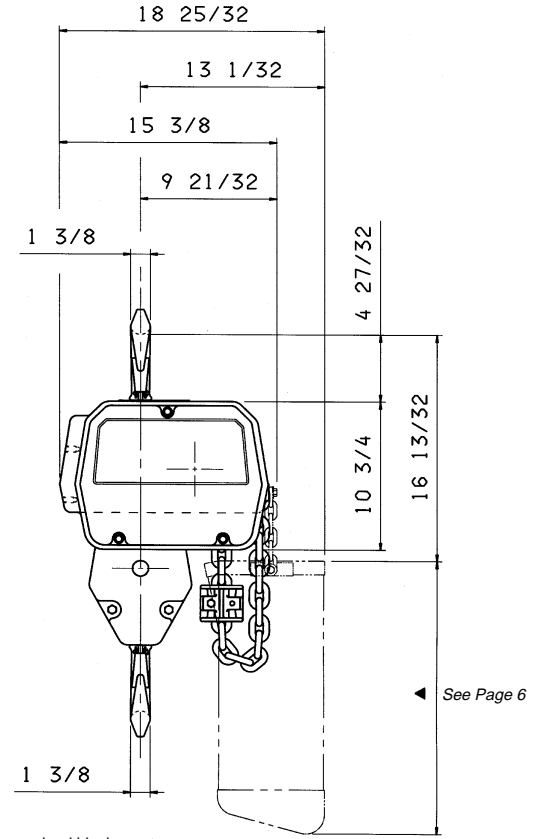
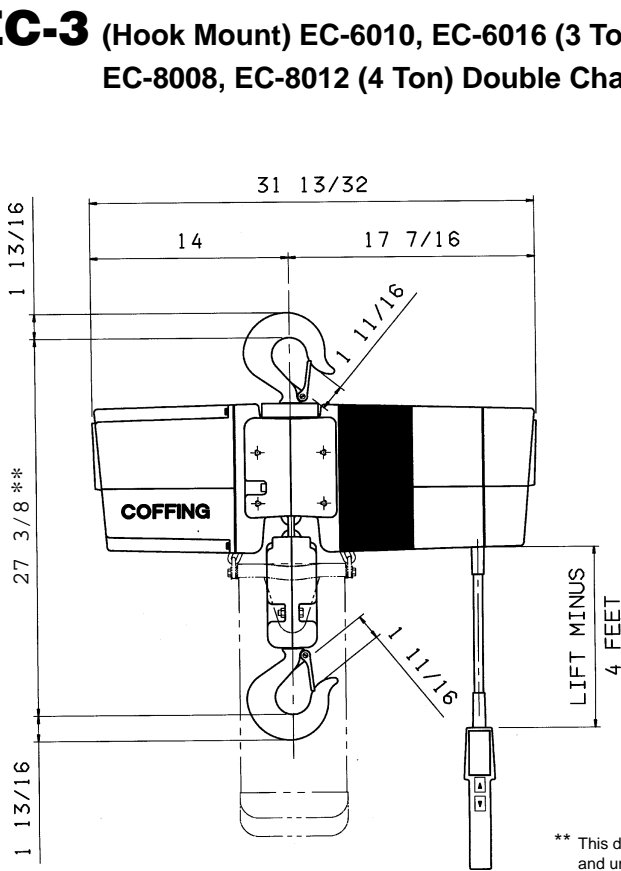
**Standard Lug
(50JG11)**

MultiPurpose Rigid Lug (50KG84) - ELC Models

For Mounting ET, CT, and MT Trolleys



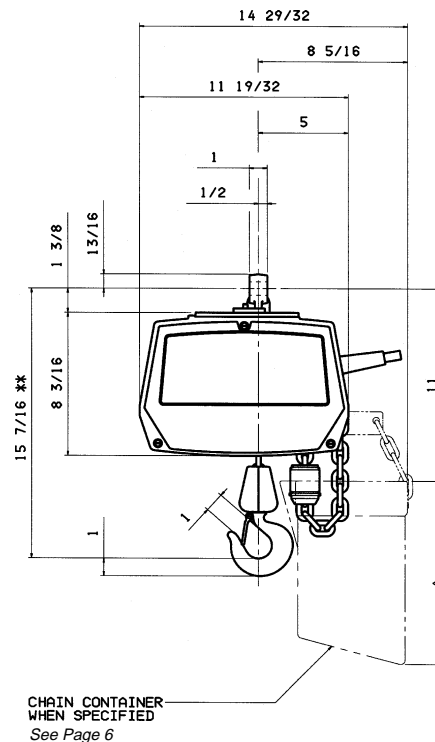
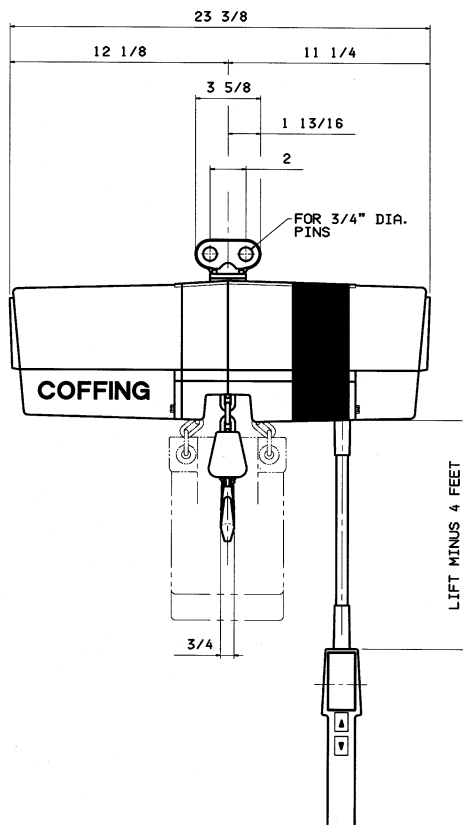
EC-3 (Hook Mount) EC-6010, EC-6016 (3 Ton)
EC-8008, EC-8012 (4 Ton) Double Chain



** This dimension allows for 1 1/2" clearance between load block and underside of hoist.

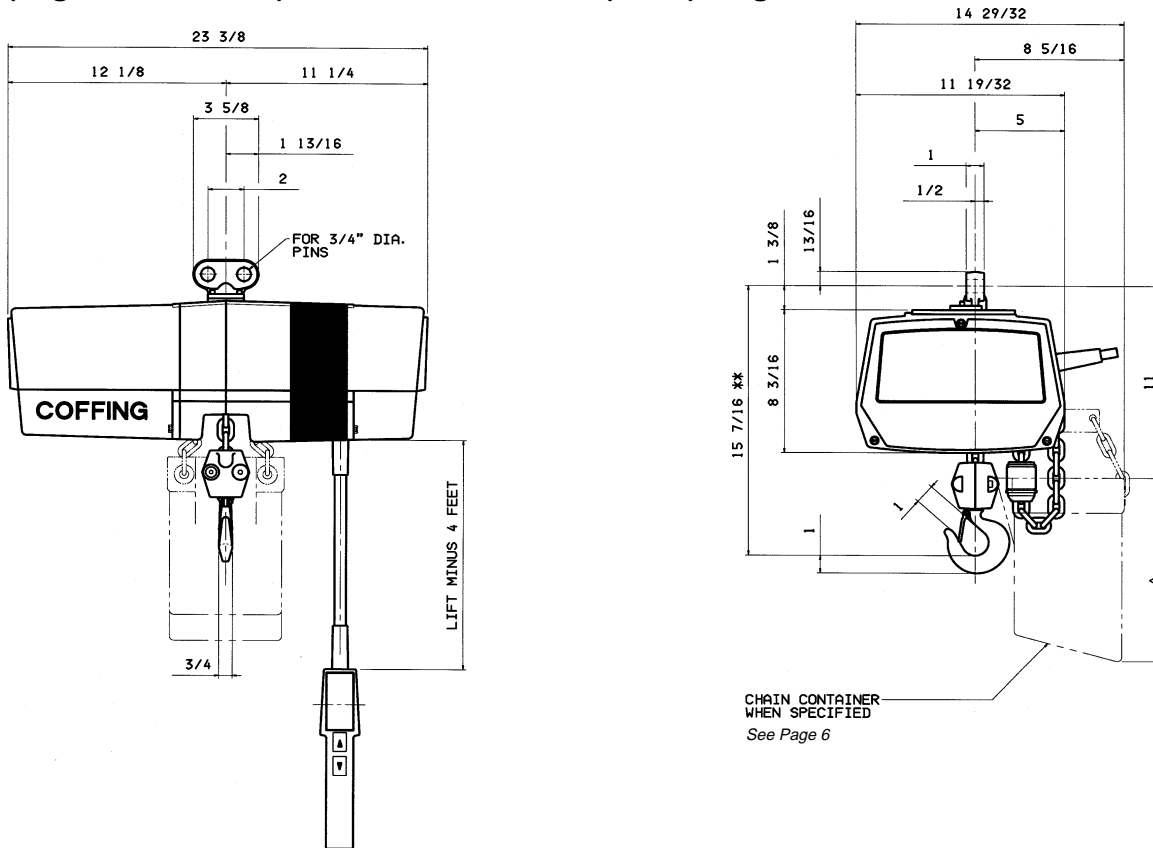
See Page 6

EC-1 (Lug Mount 50JG11) EC-0516 to EC-1032 (1/4 to 1/2 Ton) Single Chain

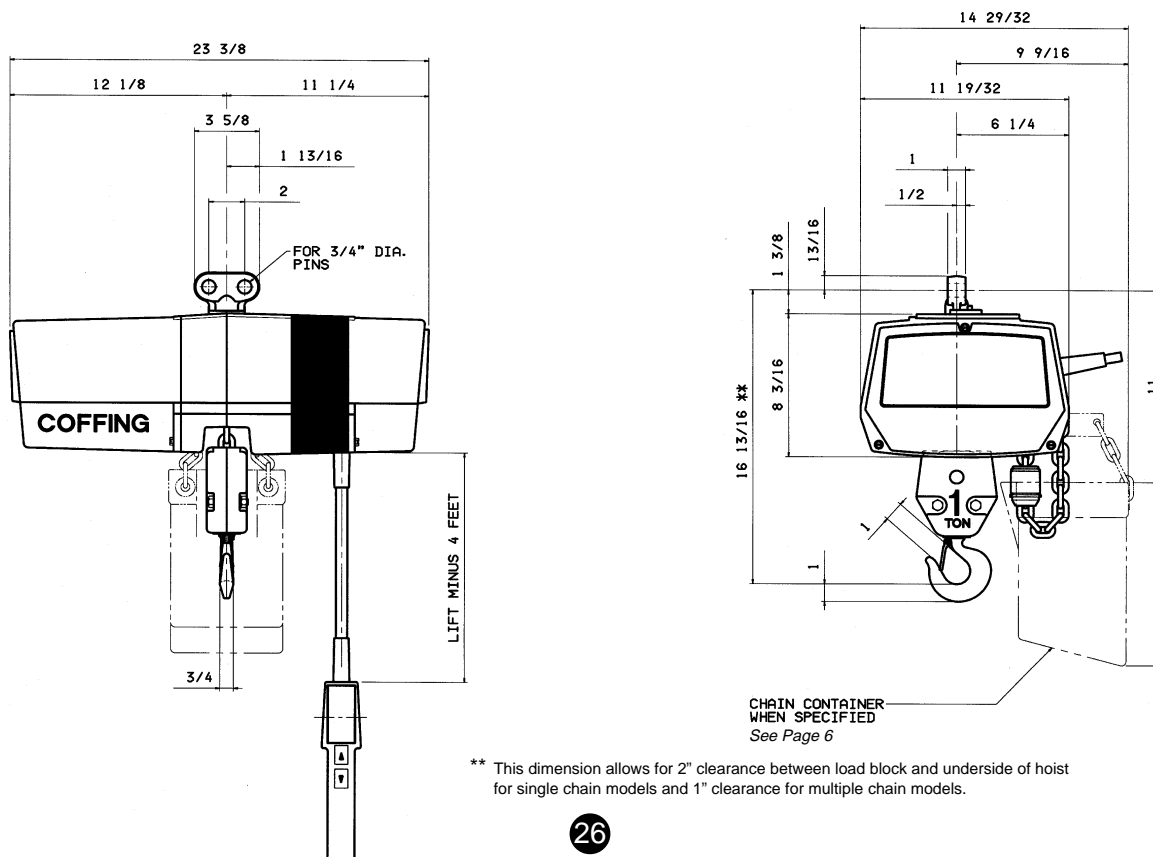


** This dimension allows for 2" clearance between load block and underside of hoist.

EC-1 (Lug Mount 50JG11) EC-2012 and EC-2016 (1 Ton) Single Chain

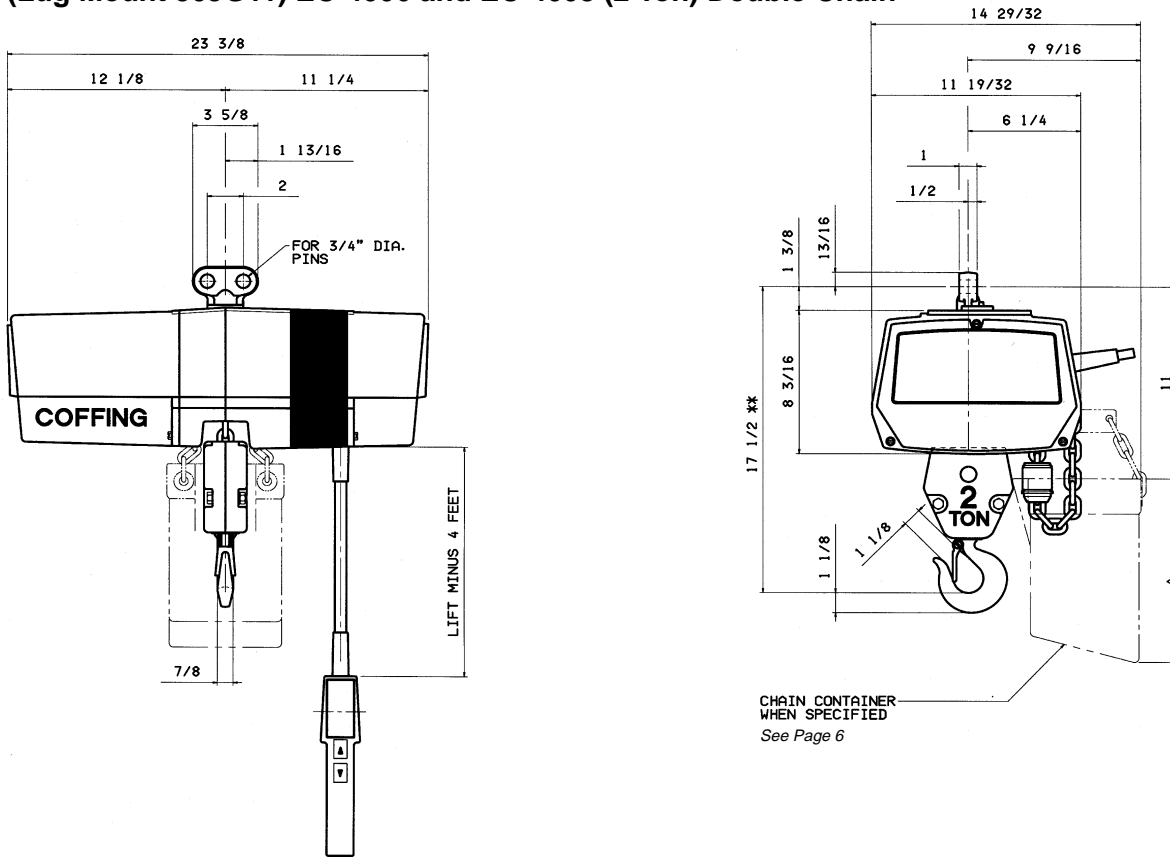


EC-1 (Lug Mount 50JG11) EC-2004 and EC-2008 (1 Ton) Double Chain

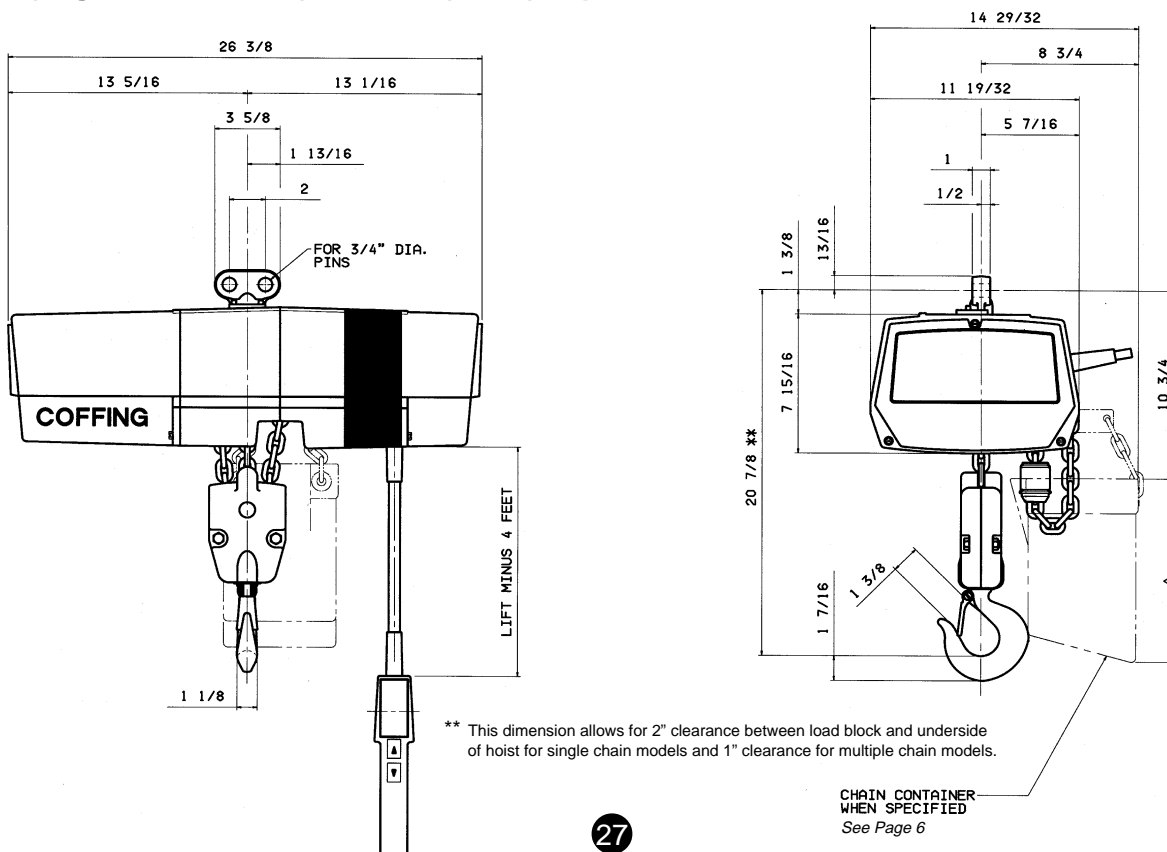


** This dimension allows for 2" clearance between load block and underside of hoist for single chain models and 1" clearance for multiple chain models.

EC-1 (Lug Mount 50JG11) EC-4006 and EC-4008 (2 Ton) Double Chain

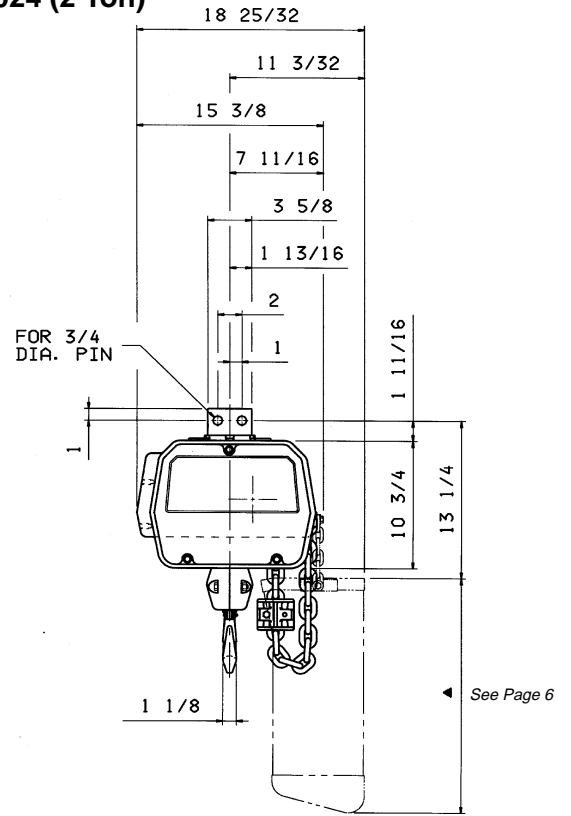
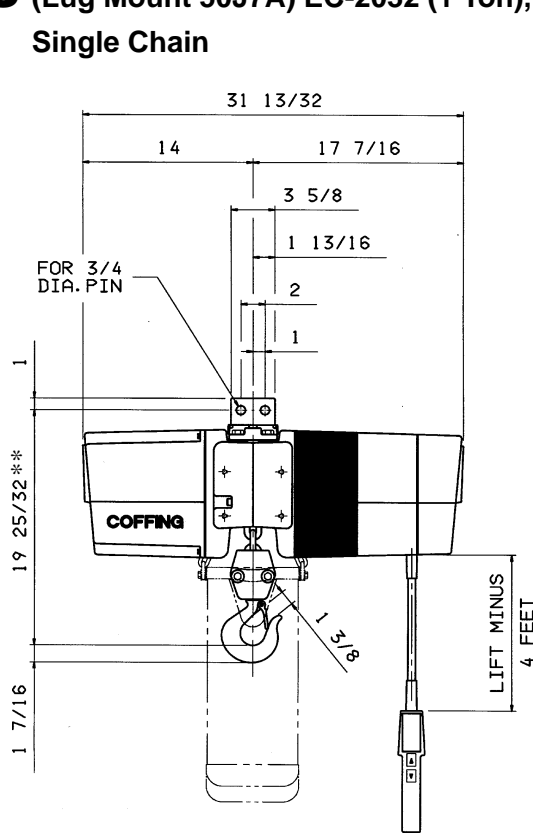


EC-1 (Lug Mount 50JG53) EC-6005 (3 Ton) Triple Chain

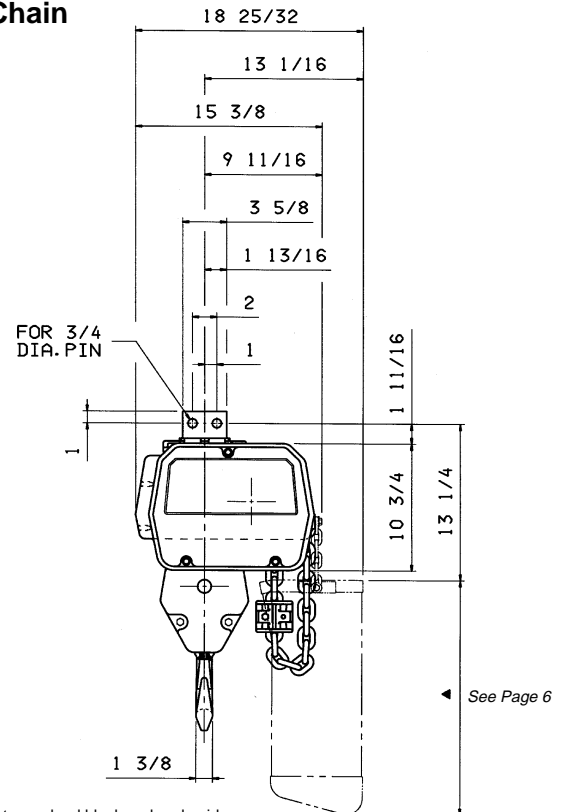
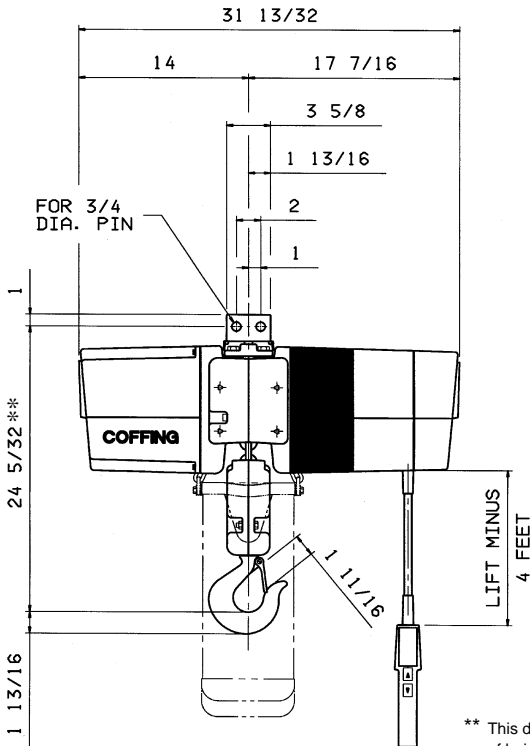


** This dimension allows for 2" clearance between load block and underside of hoist for single chain models and 1" clearance for multiple chain models.

EC-3 (Lug Mount 50J7A) EC-2032 (1 Ton), EC-4016, EC-4024 (2 Ton)
Single Chain

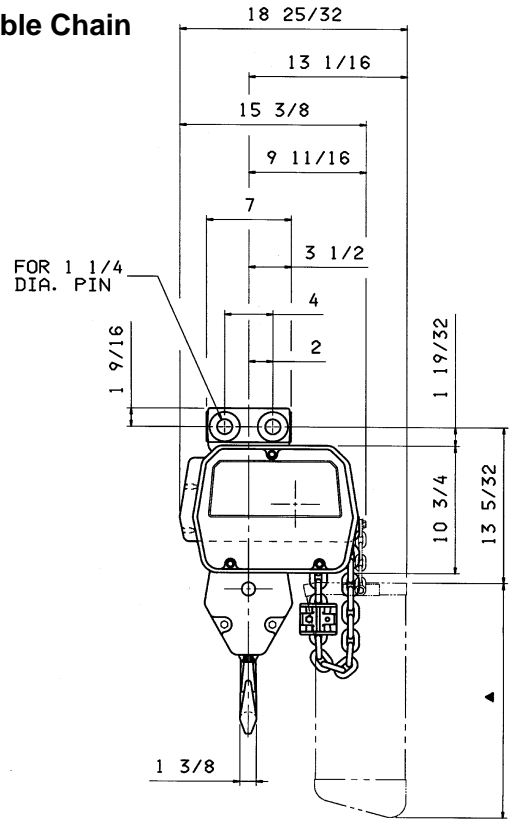
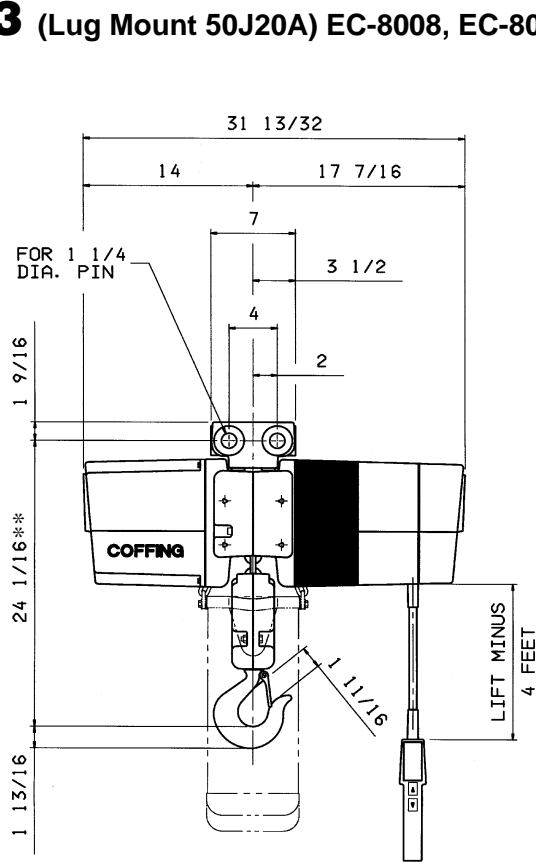


EC-3 (Lug Mount 50J7A) EC-6010, EC-6016 (3 Ton) Double Chain



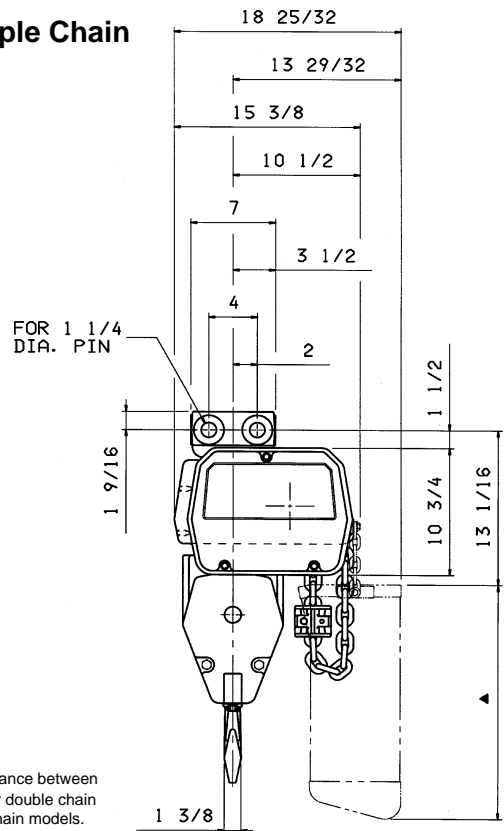
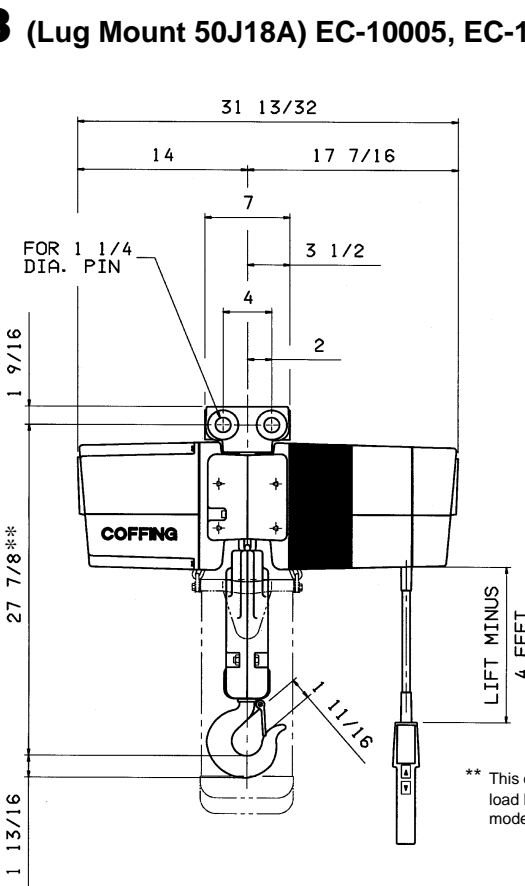
** This dimension allows for 2" clearance between load block and underside of hoist for single chain models and 1 1/2" clearance for multiple chain models.

EC-3 (Lug Mount 50J20A) EC-8008, EC-8012 (4 Ton) Double Chain



◀ See Page 6

EC-3 (Lug Mount 50J18A) EC-10005, EC-10008 (5 Ton) Triple Chain



◀ See Page 6

** This dimension allows for 1/2" clearance between load block and underside of hoist for double chain models and 1" clearance for triple chain models.