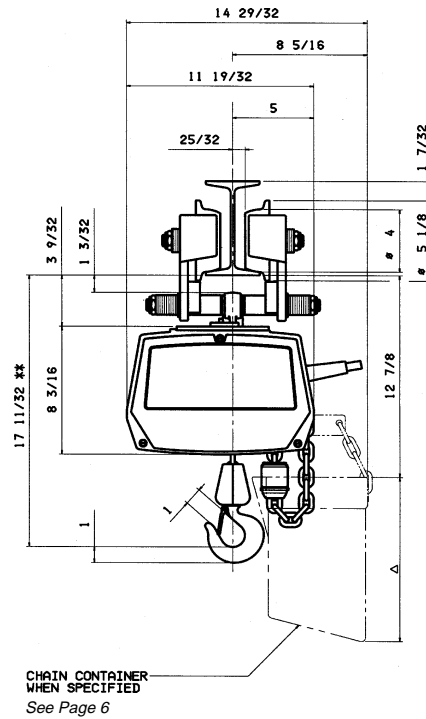
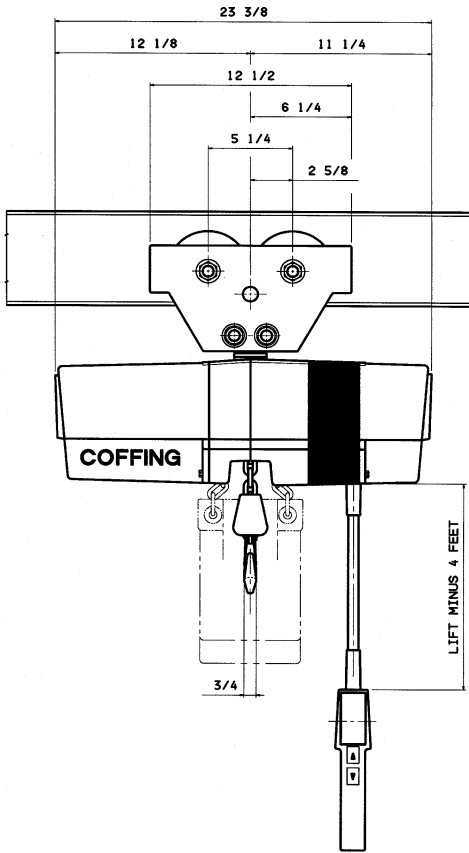
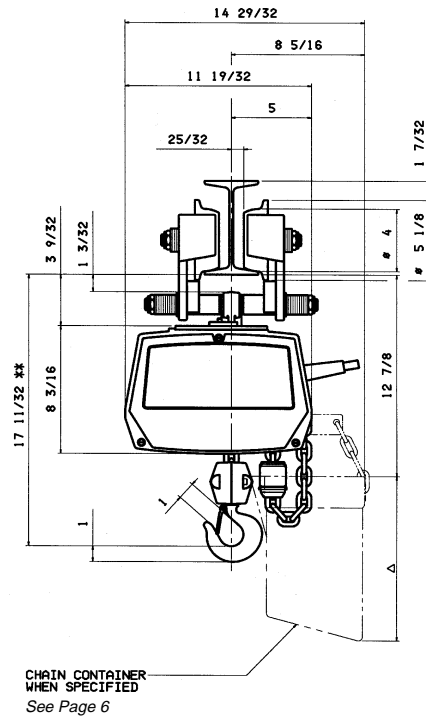
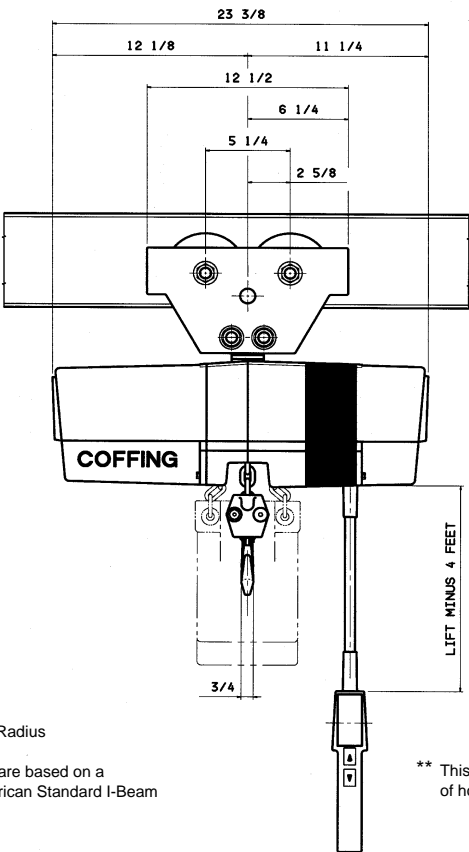


EC-1 (Plain Trolley) ECT-0516 to ECT-1032 (1/4 to 1/2 Ton) Single Chain (Parallel Mounted)



EC-1 (Plain Trolley) ECT-2012 and ECT-2016 (1 Ton) Single Chain (Parallel Mounted)

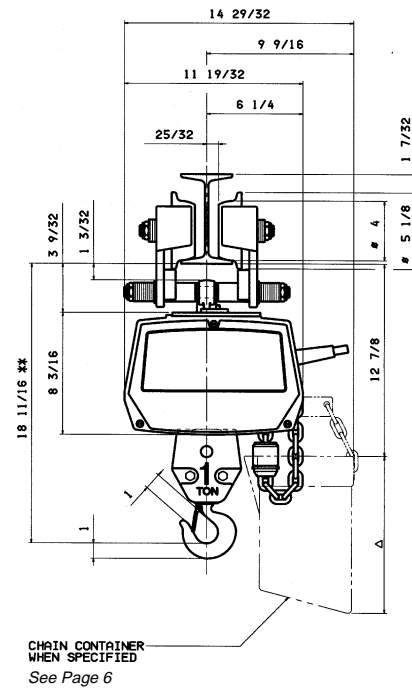
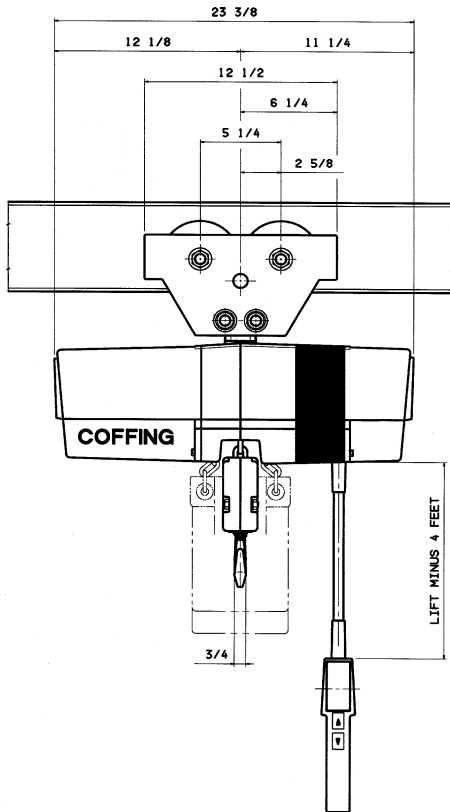


4 Ft. Minimum Radius

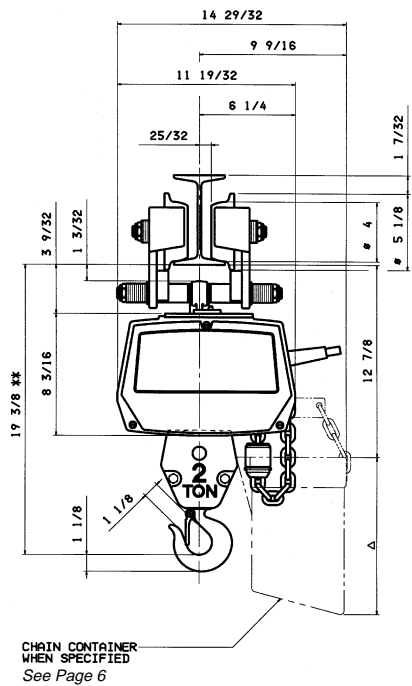
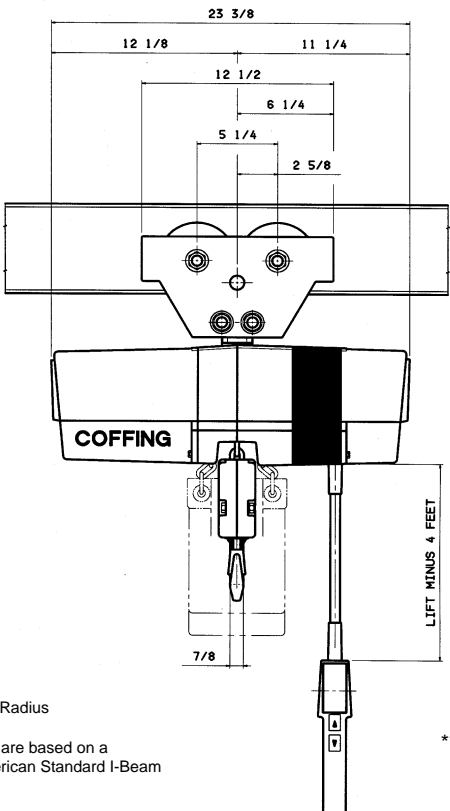
All dimensions are based on a
6" x 12.5# American Standard I-Beam

** This dimension allows for 2" clearance between load block and underside of hoist for single chain models and 1" clearance for multiple chain models.

EC-1 (Plain Trolley) ECT-2004 and ECT-2008 (1 Ton) Double Chain (Parallel Mount)



EC-1 (Plain Trolley) ECT-4006 and ECT-4008 (2 Ton) Double Chain (Parallel Mount)

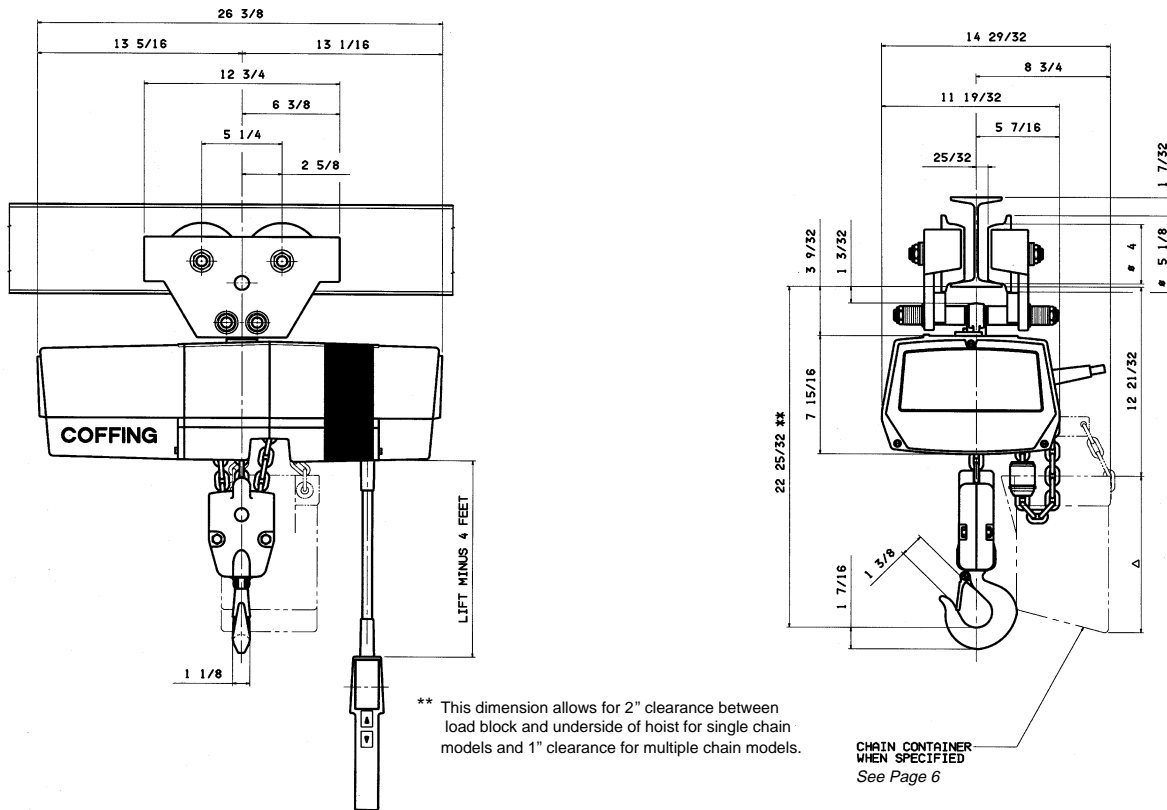


4 Ft. Minimum Radius

All dimensions are based on a 6" x 12.5# American Standard I-Beam

** This dimension allows for 2" clearance between load block and underside of hoist for single chain models and 1" clearance for multiple chain models.

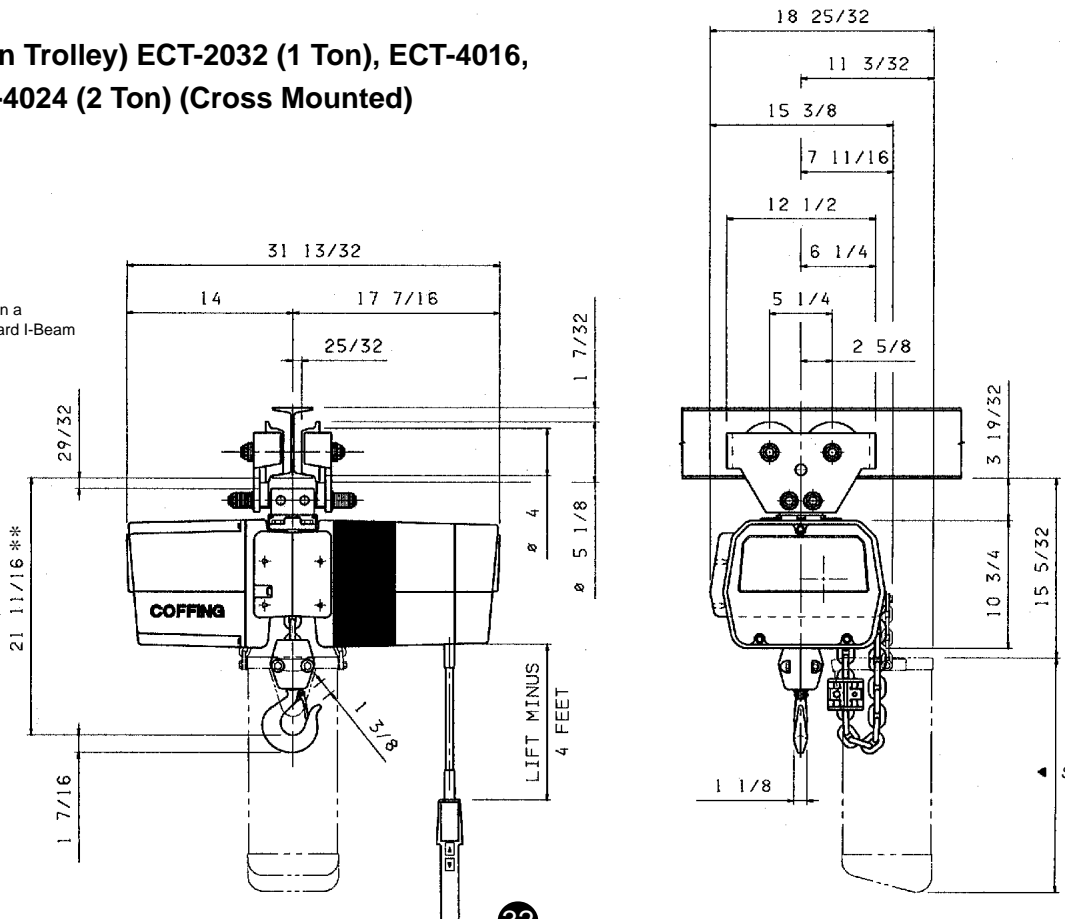
EC-1 (Plain Trolley) ECT-6005 (3 Ton) Triple Chain (Parallel Mount)



EC-3 (Plain Trolley) ECT-2032 (1 Ton), ECT-4016, ECT-4024 (2 Ton) (Cross Mounted)

4 Ft. Minimum Radius

All dimensions are based on a 6" x 12.5# American Standard I-Beam

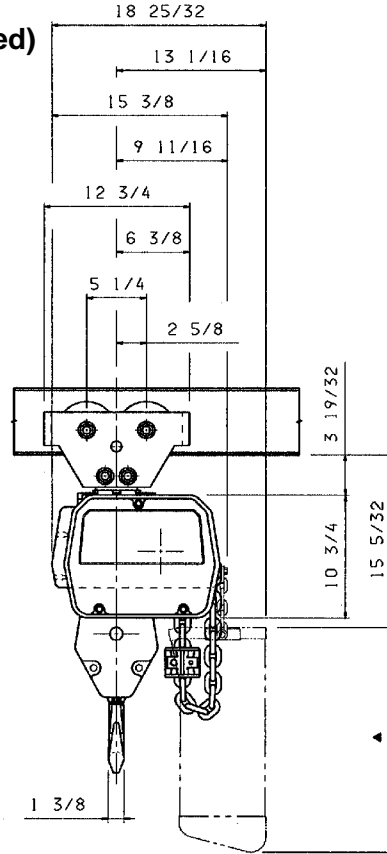
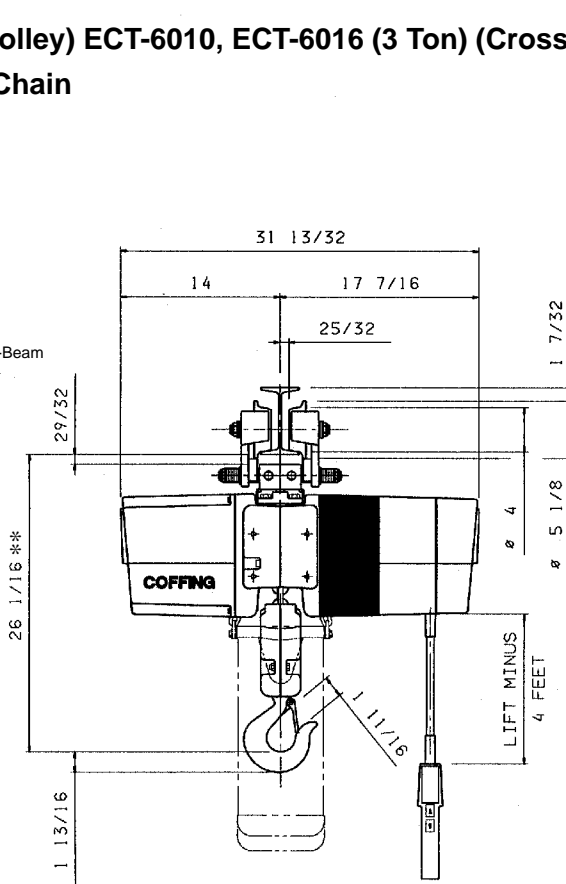


EC-3 (Plain Trolley) ECT-6010, ECT-6016 (3 Ton) (Cross Mounted) Double Chain

4 Ft. Minimum Radius

All dimensions are based on a 6" x 12.5# American Standard I-Beam

** This dimension allows for 1 1/2" clearance between load block and underside of hoist.



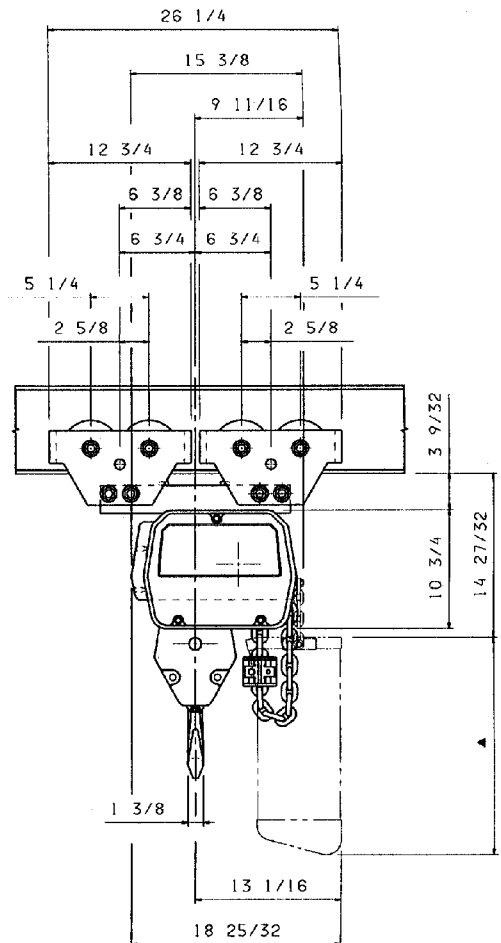
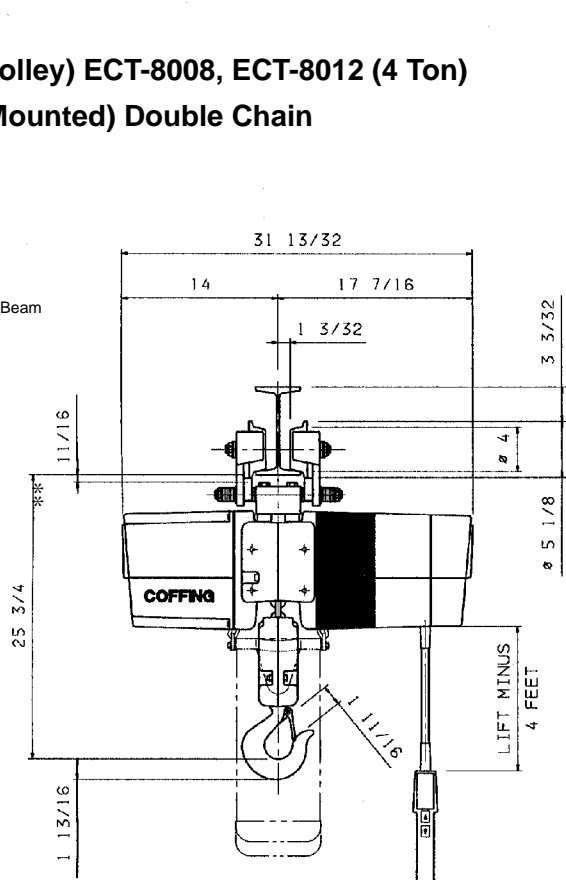
See Page 6

EC-3 (Plain Trolley) ECT-8008, ECT-8012 (4 Ton) (Cross Mounted) Double Chain

STRAIGHT TRACK ONLY

All dimensions are based on a 8" x 18.4# American Standard I-Beam

** This dimension allows for 1 1/2" clearance between load block and underside of hoist.



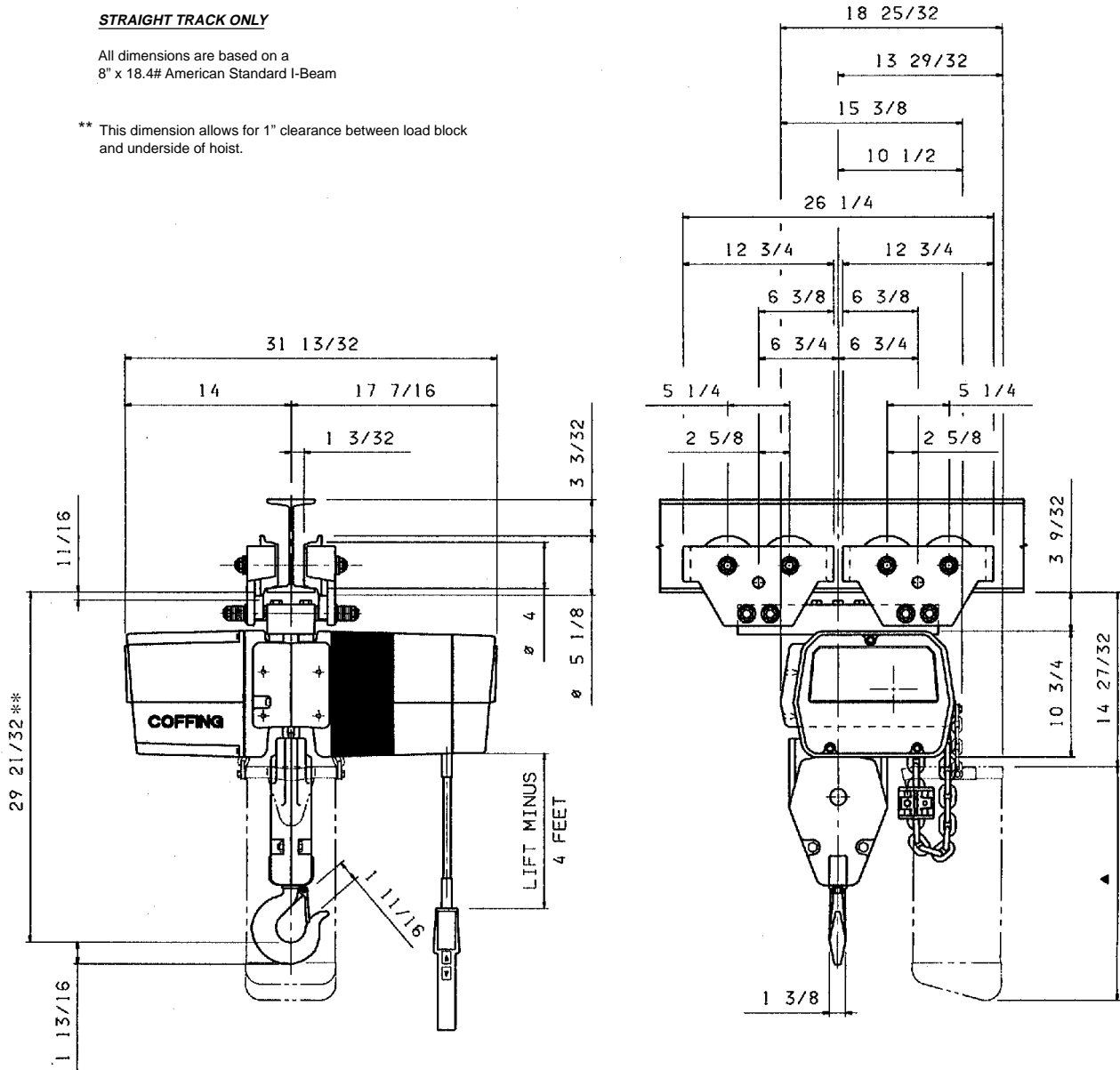
See Page 6

EC-3 (Plain Trolley) ECT-10005, ECT-10008 (5 Ton) (Cross Mounted) Triple Chain

STRAIGHT TRACK ONLY

All dimensions are based on a
8" x 18.4# American Standard I-Beam

** This dimension allows for 1" clearance between load block and underside of hoist.



See Page 6

For more information contact:
American Crane & Equipment Corp.
Authorized Distributor
Tel: 877-503-2972
Fax: 484-945-0430
sales@americancrane.com
www.americancrane.com