

Monorail Trolley

3 TON CAPACITY

PRODUCT INFORMATION

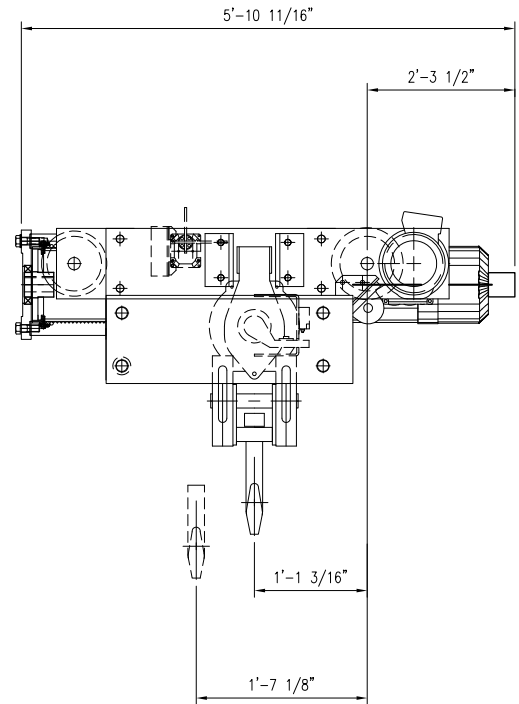
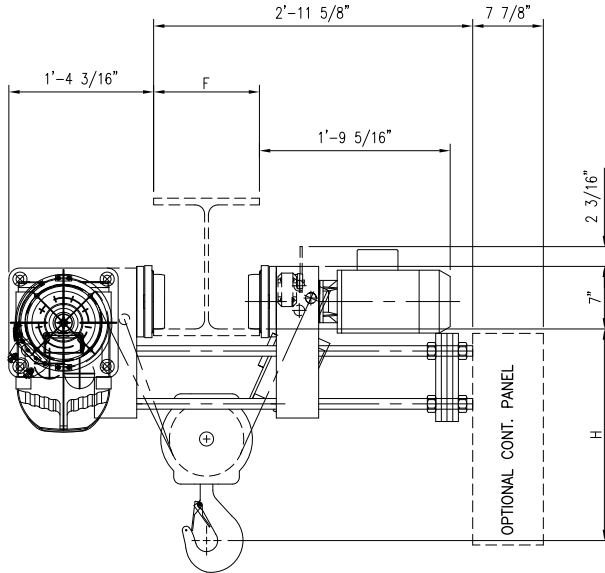
DWG. NO:

NOR4012-2423

DATE: 11/10/2016

REVISION: 2

TYPE: 23



WIRE ROPE 5/16" DIA. 6 x 36 IWRC EIP

ACECO RESERVES THE RIGHT TO MAKE CHANGES WITHOUT NOTICE.

HOIST TECHNICAL DATA

CAPACITY	3 Tons (6,000 lbs.)	TROLLEY SPEED	MOTOR DATA	Optional: Hoisting Speed, Trolley Speed, Lift, Power Supply, etc.; Consult Factory. DRUM DIA. 7.638"
CLASS	CMAA CLASS "D"	60 FPM	.5 HP / 3600 RPM	
POWER SUPPLY	460V-3PH-60HZ			

DIMENSIONAL INFORMATION

HOIST	HOISTING		
MOTOR	SPEED	LIFT	WEIGHT
HP/RPM	FPM	FEET	LBS.
4 HP / 3600 / 600 RPM	18 / 3 FPM	33	1,000

FLANGE WIDTH "B"	HEADROOM "H"
INCHES	
<7.87	21
<12.00	21
<15.98	OPTION
<19.68	OPTION
<23.62	OPTION