

## GENERAL

BUDGIT USA Rigid Mount Trolleys are designed especially for use with BUDGIT USA Hand Chain Hoists. They attach directly to suspension lugs of lug mounted model hoists.

Trolleys are shipped partially disassembled to make it unnecessary to take them apart before mounting with a hoist. This also makes it easier to properly adjust the trolleys to fit the particular beams on which they are to operate. Trolleys must be correctly fitted to properly support the rated load.

Your new BUDGIT USA Rigid Mount Trolley can be assembled to your BUDGIT USA Hand Chain Hoist, and the complete unit then installed on its monorail beam with a minimum of effort by following the directions given herein.

Patented track trolleys are designed to operate on patented track with a 3-1/4" wide flange.

For more information contact:  
American Crane & Equipment Corp.  
Authorized Distributor  
Tel: 877-503-2972  
Fax: 484-945-0430  
sales@americancrane.com  
www.americancrane.com

**THE INFORMATION CONTAINED IN THIS MANUAL IS FOR INFORMATIONAL PURPOSES ONLY AND LIFT-TECH DOES NOT WARRANT OR OTHERWISE GUARANTEE (IMPLIEDLY OR EXPRESSLY) ANYTHING OTHER THAN THE COMPONENTS THAT LIFT-TECH MANUFACTURES AND ASSUMES NO LEGAL RESPONSIBILITY (INCLUDING, BUT NOT LIMITED TO CONSEQUENTIAL DAMAGES) FOR INFORMATION CONTAINED IN THIS MANUAL.**



**1 Ton Rated Load Push Type Trolley**

10236



**1 Ton Rated Load Hand Geared Trolley**

10238

**Figure 1**

## ASSEMBLY OF TROLLEY TO HOIST

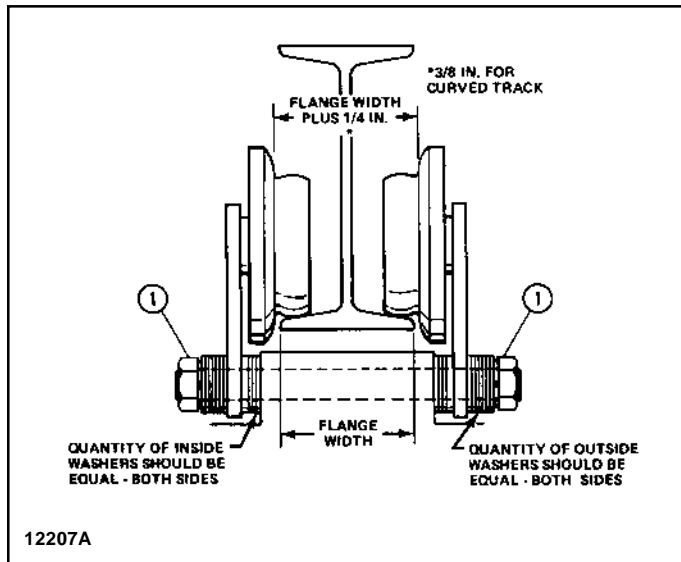
Place hoist on workbench, suspension lug facing up, and proceed as follows:

1. If trolley is a hand geared type rated 3 tons or less, make certain that proper size anti-tilt roller is installed on inside of one side plate before assembling trolley to hoist. Two rollers are provided with each hand geared trolley to accommodate the full range of beam sizes that trolley is designed for. If the trolley is to operate on an I-beam smaller than 10", remove the smaller roller and substitute the larger roller, which is shipped loose. For other than standard I-beams, measure beam flange thickness and allow not less than 1/16" clearance between roller and bottom of beam flange.

2. Before attaching trolley to hoist, first determine proper spacing of trolley side plates to provide adequate wheel clearance (approximately 1/8") on both sides of I-beam, between inside faces of wheel flanges and edges of bottom beam flange. Proper spacing is obtained by varying number of spacer washers, (furnished with trolley) which are installed on suspension cross pins, between suspension lug and trolley side plates.

3. Due to manufacturing tolerances, I-beams having the same size designation may vary in the width of their flanges. This makes it impossible to prescribe the specific number of spacer washers required between trolley side plates and lug for any particular beam size. As a result the following procedure should be followed:

4. Measure exact width of bottom beam flange and add 1/4" to this dimension. This is the required distance between inside faces of wheel flanges to obtain proper operating clearance, as indicated in Figure 2.



**Figure 2. Sectional View of Trolley Showing Proper Wheel and Washer Spacing**

5. An equal number of washers must be removed or added at each end of lug (inside side plates) as required to obtain proper wheel spacing determined in Step 4. When spacing is correct, remaining spacer washers are to be installed in equal numbers on outside ends of cross pins. Install lock-washers and tighten hex nuts.

**Note:** It is important that all the spacer washers that come with trolley be used.

### SUSPENDING TROLLEY AND HOIST

The hoist and trolley may be installed on I-beams by one of two methods. If the trolley can be slipped directly over end of beam it need not be partially disassembled. If this is impossible, remove hex nuts, lockwashers, outer spacer washers and one side plate from one side of trolley and reassemble on beam.

### CAUTION

Make certain lockwashers are in place on cross pins and hex nuts are tight. Recheck clearance dimensions between wheel flanges and beam flanges.

### WARNING

If trolley is mounted on an open-end beam, end stops must be installed to prevent trolley from running off the end of the beam, resulting in injury to operator and others, including danger to life and limb and damages to load and other property.

### OPERATING PRECAUTIONS

**DO NOT** load trolley beyond rated load.

**DO NOT** subject trolley to side loads. Always center trolley over load when hoisting.

**DO NOT** ram trolley into end stops, other trolleys, or any obstruction on beam. Improper and careless operation can result in a hazardous condition for operator and load.

**ALWAYS** be sure load is clear of obstruction before traversing load and trolley.

**DO NOT** stand and **DO NOT** cause or allow others to stand or get under any load the trolley is supporting. **DO** keep clear, and make sure others keep clear, of any load the trolley is supporting.

### WARNING

These trolleys are not designed nor intended to be used to support or transport people or for supporting or transporting loads over people.

### MAINTENANCE AND LUBRICATION

1. BUDGIT USA Rigid Mount Trolleys are built to give long service, but should be inspected periodically for evidence of damage or wear, particularly when subjected to unusually severe operating conditions.

2. Lubrication requirements:

- a. Where wheel axles have lubrication fittings apply light grease a minimum of every six months; more often if required.
- b. Other wheel bearings are permanently lubricated and require no additional lubricant.
- c. Drive wheel gears are to be lubricated with an open type gear grease which is heavy, plastic, extreme pressure and tacky; such as MOBILTAC 275 or equal.

### REPLACEMENT PARTS

The following parts lists and illustrations cover standard model BUDGIT USA Rigid Mount Trolleys. Typical units are used as the basis for the exploded parts illustrations; therefore, certain variations may occur from the parts information given. For this reason always give the catalog number and model number.

The numbers assigned to the parts of our various assemblies in our parts list are not the part numbers used in manufacturing the part. They are identification numbers, that when given with the trolley model number, permit us to identify, select or manufacture and ship the correct part needed for any trolley.



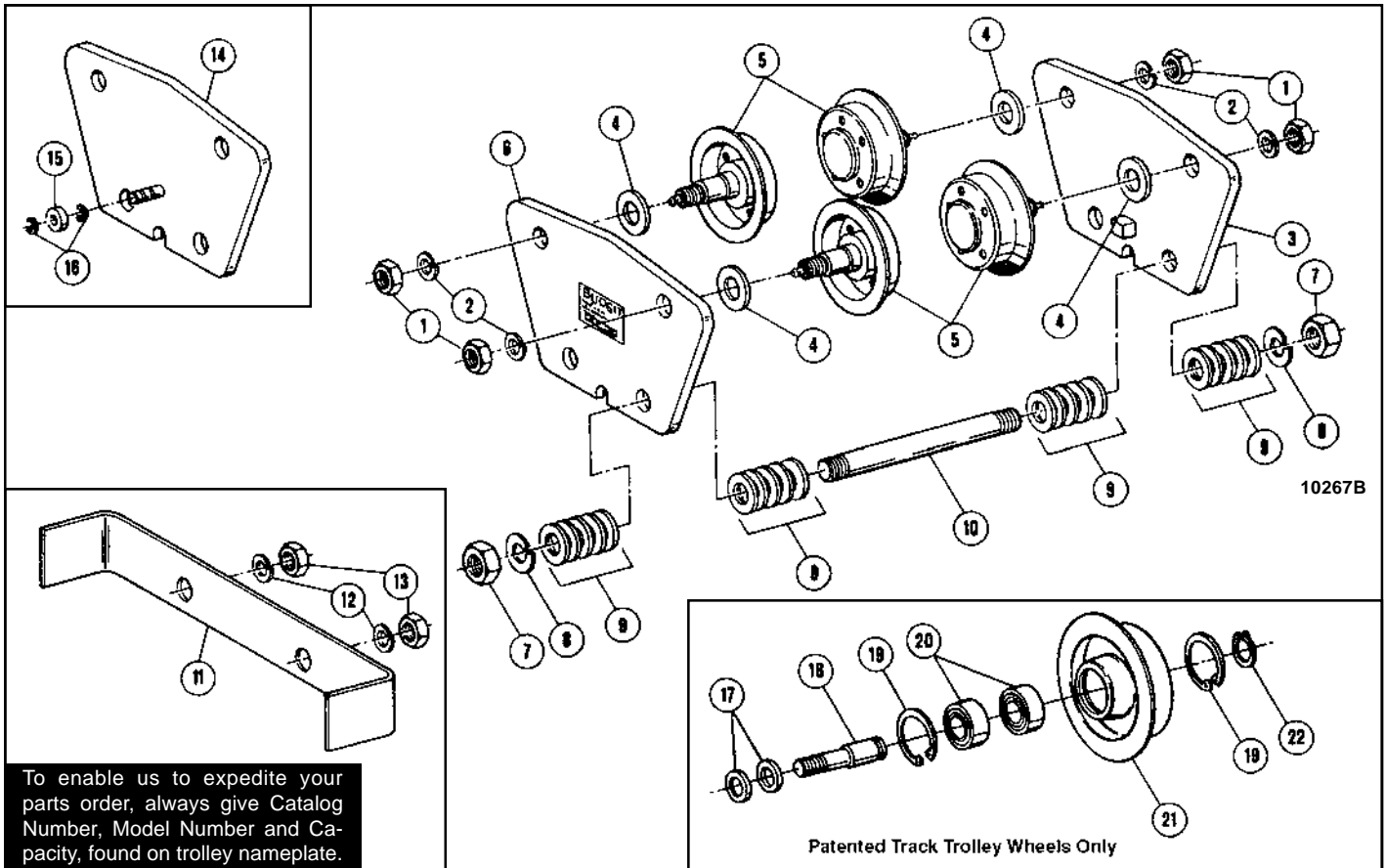
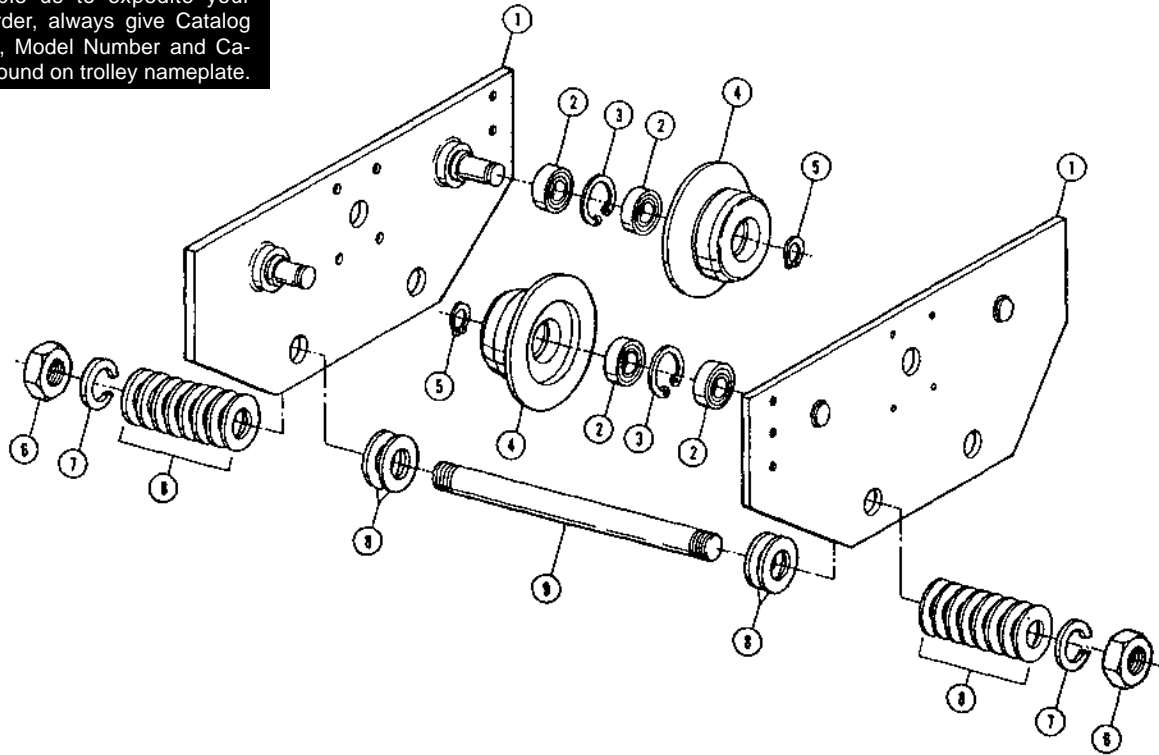


Figure 3. Push Type Rigid Mount Trolley Assembly - (½, 1, 1½, 2 & 3 Ton Rated Loads)

Ref. No.	1/2 Ton		1 Ton				1½ & 2 Ton				3 Ton		Description
	Part No.	Qty.	Part Number				Part Number				Part No.	Qty.	
			I-beam	Qty.	Pat. Trk.	Qty.	I-beam	Qty.	Pat. Trk.	Qty.			
1	BT-1001	4	BT-1002	4	-	-	-	-	-	-	-	-	Nut - Hex
2	BT-1003	4	BT-1004	4	-	-	-	-	-	-	-	-	Lockwasher - Spring Type
3	BT-1005	1	-	-	BT-1006	1	BT-1007	1	BT-1051	1	BT-1031	1	Plate Assembly - Side
4	BT-1008	4	BT-1066	4	BT-1066	4	BT-1010	4	-	-	-	-	Washer - Spacer, Wheel
5	BT-1011	4	BT-1012	4	BT-1052	4	BT-1013	4	BT-1053	4	BT-1033	4	Wheel & Axle Assembly
6	BT-1014	1	BT-1015	1	BT-1006	1	BT-1016	1	BT-1051	1	BT-1034	1	Plate - Side (drilled for nameplate)
7	BT-1017	4	BT-1017	4	BT-1054	4	BT-1018	4	BT-1018	4	BT-1035	4	Nut - Hex, Cross Pin
8	BT-1019	4	BT-1019	4	BT-1055	4	BT-1020	4	BT-1020	4	BT-1036	4	Lockwasher - Spring Type
9	BT-1021	44	BT-1021	52	BT-1021	32	BT-1022	44	BT-1022	44	BT-1037	40	Washer - Spacer, Cross Pin
10	BT-1023	2	BT-1024	2	BT-1056	2	BT-1025	2	BT-1025	2	BT-1038	2	Pin - Cross, Suspension
11	-	-	-	-	BT-1057	2	BT-1026	2	BT-1026	2	BT-1039	2	Bumper
12	-	-	-	-	BT-1027	4	BT-1027	4	BT-1027	4	BT-1027	4	Lockwasher - Spring Type
13	-	-	-	-	BT-1028	4	BT-1028	4	BT-1028	4	BT-1028	4	Nut - Hex, Thin
14	-	-	BT-1105	1	-	-	-	-	-	-	-	-	Plate Assembly - Side
15	-	-	BT-1135	1	-	-	-	-	-	-	-	-	Roller - Anti-tilt
16	-	-	BT-1134	2	-	-	-	-	-	-	-	-	Ring - Snap
17	-	-	-	-	BT-1058	8	-	-	BT-1058	8	-	-	Washer - Spacer, Wheel
18	-	-	-	-	BT-1059	4	-	-	BT-1060	4	-	-	Axle
19	-	-	-	-	BT-1061	8	-	-	BT-1061	8	-	-	Ring - Retaining
20	-	-	-	-	BT-1062	4	-	-	BT-1062	8	-	-	Bearing - Ball
21	-	-	-	-	BT-1063	4	-	-	BT-1064	4	-	-	Wheel
22	-	-	-	-	BT-1065	4	-	-	BT-1065	4	-	-	Ring - Retaining

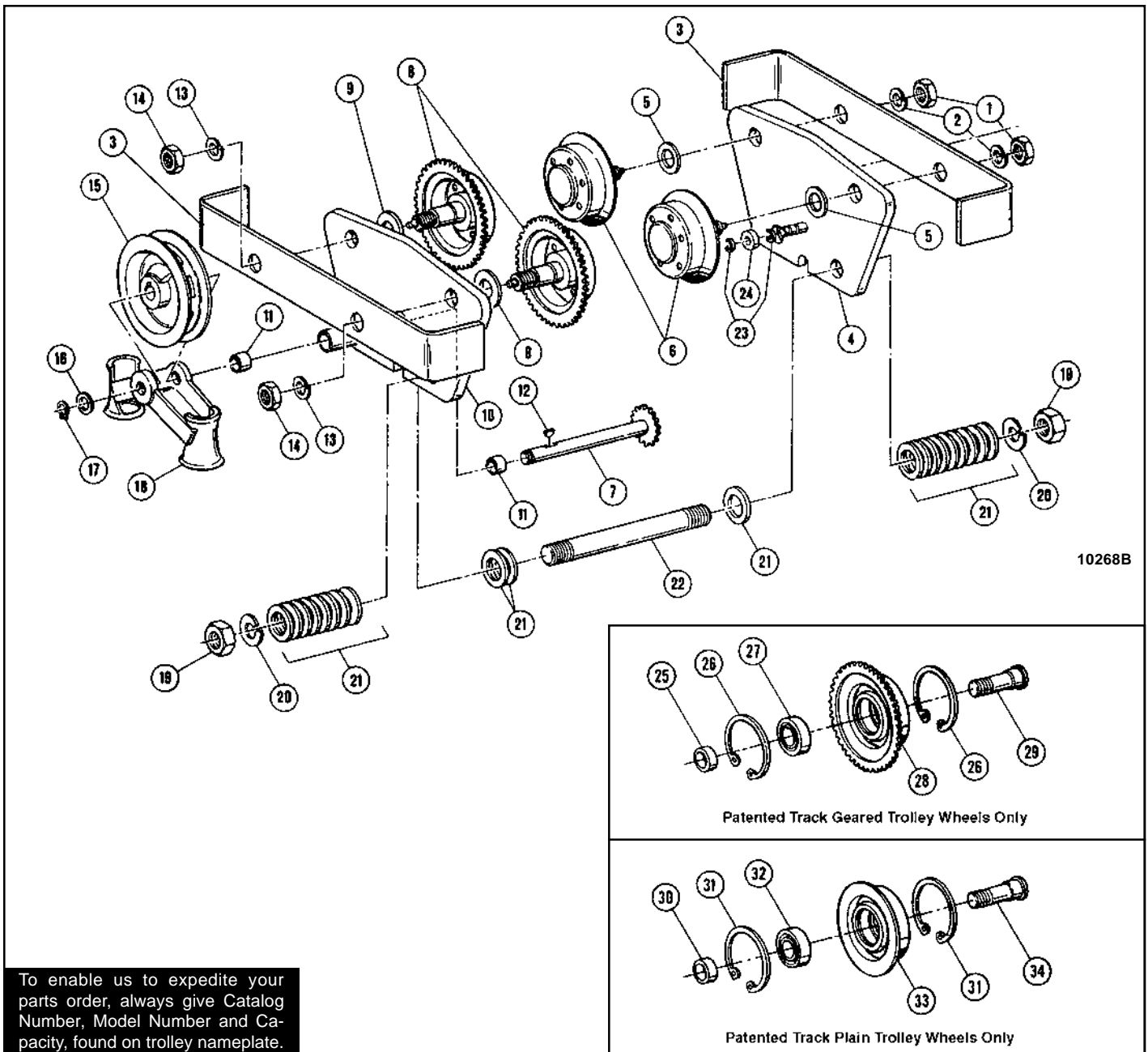
To enable us to expedite your parts order, always give Catalog Number, Model Number and Capacity, found on trolley nameplate.



12683

Figure 4. Push Type Rigid Mount Trolley Assembly - (4, 5 & 6 Ton Rated Load)

Ref. No.	Part Number		Description	Qty. Req'd
	4 Ton	5 & 6 Ton		
1	BT-1400	700T-1500	Plate Assembly - Side For 4" to 6-1/4" Flange Widths and Patented Track	2
	BT-1401	700T-1503	For 6-3/8" to 8-5/8" Flange Widths	
	BT-1402	700T-1506	For 8-3/4" to 11" Flange Widths	
2	BT-1403	700T-1514	Bearing - Ball	8
3	BT-1404	700T-1516	Ring - Retaining	4
4			Wheel - Plain	4
	BT-1405	700T-1518	Standard	
	BT-1406	700T-1520	Patented Track	
	BT-1407	700T-1521	Spark Resistant	
5	BT-1408	700T-1523	Ring - Retaining	4
6	BT-1409	700T-1525	Nut - Hex Jam	4
7	BT-1410	700T-1528	Lockwasher	4
8	BT-1411	700T-1531	Washer - Spacer	40
9			Pin - Suspension	2
	BT-1412	700T-1534	For 4" to 6-1/4" Flange Widths and Patented Track	
	BT-1413	700T-1536	For 6-3/8" to 8-5/8" Flange Widths	
	BT-1414	700T-1538	For 8-3/4" to 11" Flange Widths	



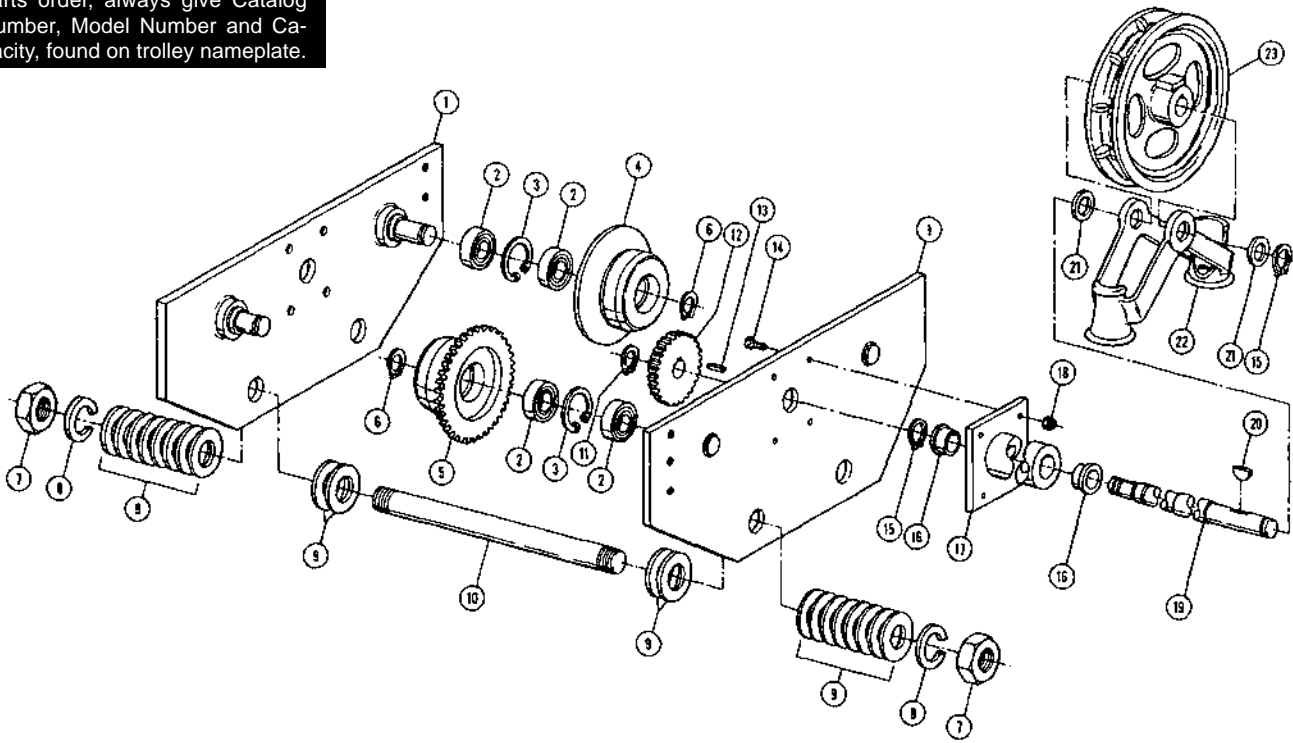
To enable us to expedite your parts order, always give Catalog Number, Model Number and Capacity, found on trolley nameplate.

Figure 5. Hand Geared Rigid Mount Trolley Assembly - (1, 1½, 2 & 3 Ton Rated Loads)

Ref. No.	1 Ton				1½ & 2 Ton		3 Ton		Description
	Part Number				Part No.	Qty.	Part No.	Qty.	
	I-beam	Qty.	Pat. Trk.	Qty.					
1	BT-1101	2	BT-1101	2	BT-1101	2	BT-1101	2	Nut - Hex, Jam
2	BT-1102	2	BT-1102	2	BT-1102	2	BT-1102	2	Lockwasher - Spring Type
3	BT-1103	2	BT-1103	2	BT-1104	2	BT-1141	2	Bumper
4	BT-1105	1	BT-1105	2	BT-1106	1	BT-1142	1	Plate Assembly - Side
5	BT-1166	2	-	-	BT-1107	2	-	-	Washer - Spacer, Plain Wheel
6	BT-1108	2	BT-1167	2	BT-1109	2	BT-1144	2	Wheel & Axle Assembly - Plain
7	BT-1110	1	BT-1110	1	BT-1110	1	BT-1145	1	Pinion & Shaft Assembly
8	BT-1111	2	BT-1168	2	BT-1112	2	BT-1146	2	Wheel & Axle Assembly - Geared
9	BT-1113	2	-	-	BT-1113	2	-	-	Spacer Washer - Geared Wheel
10	BT-1114	1	-	1	BT-1115	1	BT-1148	1	Plate & Tube Assembly (Incl. Ref. 11)
11	BT-1116	2	BT-1114	2	BT-1116	2	BT-1116	2	Bushing - Pinion Shaft
12	BT-1117	1	BT-1116	1	BT-1117	1	BT-1117	1	Key - Woodruff
13*	BT-1118	2	BT-1117	2	-	-	BT-1102	2	Lockwasher - Spring Type
14	BT-1119	2	BT-1118	2	BT-1101	2	BT-1101	2	Nut - Hex



To enable us to expedite your parts order, always give Catalog Number, Model Number and Capacity, found on trolley nameplate.



12686

Figure 6. Hand Geared Rigid Mount Trolley Assembly - (4, 5 & 6 Ton Rated Load)

Ref. No.	Part Number		Description	Qty. Req'd
	4 Ton	5 & 6 Ton		
1	BT-1600	700T-1800	Plate Assembly - Side For 4" to 6-1/4" Flange Widths and Patented Track	2
	BT-1601	700T-1802		
	BT-1602	700T-1804		
2	BT-1603	700T-1811	Bearing - Ball	8
	BT-1604	700T-1813		
4			Ring - Retaining	4
			Wheel - Plain	2
	BT-1605	700T-1815	Standard	
	BT-1606	700T-1817	Patented Track	
5	BT-1607	700T-1818	Spark Resistant	
			Wheel - Geared	2
	BT-1608	700T-1820	Standard	
	BT-1609	700T-1822	Patented Track	
6	BT-1610	700T-1823	Spark Resistant	
	BT-1611	700T-1825	Ring - Retaining	4
7	BT-1612	700T-1827	Nut - Hex Jam	4
8	BT-1613	700T-1830	Lockwasher	4
9	BT-1614	700T-1833	Washer - Spacer	40









## Recommended Spare Parts for Your Budgit Trolley

Certain parts of your trolley will, in time, require replacement under normal wear conditions. It is suggested that the following parts be purchased for your trolley as spares for future use.

- 1 Set of Wheels
- 1 Pinion (Hand Geared Trolley Only)

**Note: When ordering parts always furnish Model Number of Trolley.**

Parts for your trolley are available from your local authorized **BUDGIT/TUGIT** repair station. For the location of your nearest repair station, write or phone:

**Yale•Lift-Tech**  
P.O. Box 769  
Muskegon, MI 49443-0769

Phone: **800 742-9269**  
Fax: **800 742-9270**

For more information contact:  
**American Crane & Equipment Corp.**  
Authorized Distributor  
Tel: 877-503-2972  
Fax: 484-945-0430  
sales@americancrane.com  
www.americancrane.com

# WARRANTY

## WARRANTY AND LIMITATION OF REMEDY AND LIABILITY

A. Seller warrants that its products and parts, when shipped, and its work (including installation, construction and start-up), when performed, will meet applicable specifications, will be of good quality and will be free from defects in material and workmanship. All claims for defective products or parts under this warranty must be made in writing immediately upon discovery and in any event, within one (1) year from shipment of the applicable item unless Seller specifically assumes installation, construction or start-up responsibility. All claims for defective products or parts when Seller specifically assumes installation, construction or start-up responsibility and all claims for defective work must be made in writing immediately upon discovery and in any event, within one (1) year from completion of the applicable work by Seller, provided; however, all claims for defective products and parts made in writing no later than eighteen (18) months after shipment. Defective items must be held for Seller's inspection and returned to the original f.o.b. point upon request. THE FOREGOING IS EXPRESSLY IN LIEU OF ALL OTHER WARRANTIES WHATSOEVER, EXPRESS, IMPLIED AND STATUTORY, INCLUDING, WITHOUT LIMITATION, THE IMPLIED WARRANTIES OF MERCHANTABILITY AND FITNESS.

B. Upon Buyer's submission of a claim as provided above and its substantiation, Seller shall at its option either (i) repair or replace its product, part or work at either the original f.o.b. point of delivery or at Seller's authorized service station nearest Buyer or (ii) refund an equitable portion of the purchase price.

C. This warranty is contingent upon Buyer's proper maintenance and care of Seller's products, and does not extend to normal wear and tear. Seller reserves the right to void warranty in event of Buyer's use of inappropriate materials in the course of repair or maintenance, or if Seller's products have been dismantled prior to submission to Seller for warranty inspection.

D. The foregoing is Seller's only obligation and Buyer's exclusive remedy for breach of warranty and is Buyer's exclusive remedy hereunder by way of breach of contract, tort, strict liability or otherwise. In no event shall Buyer be entitled to or Seller liable for incidental or consequential damages. Any action for breach of this agreement must be commenced within one (1) year after the cause of action has accrued.

**BUDGIT®**