

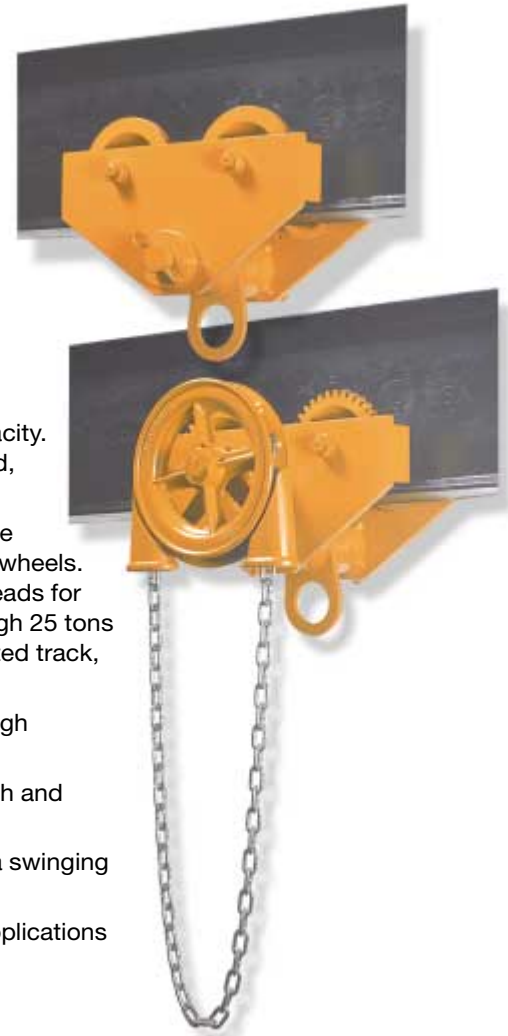
# Series 84A

Plain or geared trolleys

**Manufactured for heavy duty, industrial grade applications**

CM series 84A trolleys feature fully sealed, precision bearings, heavy duty side frames and fully machined wheel tread for superior performance and long life — with minimal maintenance.

- Available in capacities from 1/4 through 25 ton with 30 through 50 ton trolleys available as tandem construction.
- Lifetime lubricated, precision ball bearings on trolleys through 3 ton capacity. Trolleys with capacities 4 tons and greater are equipped with eight sealed, Timken tapered roller bearings and grease fittings.
- Heavy rolled steel side frames extend beyond the wheels to provide these trolleys with superior strength, rigidity and added protection for the trackwheels. Units with capacities from 1/4 through 12 tons employ universal wheel treads for use on flat or tapered beam flanges. Units with capacities from 16 through 25 tons operate on American Standard I-beams with tapered flanges. For patented track, consult factory.
- Trolley wheels are fully machined from alloy cast iron and hardened for high strength and long life.
- Alloy steel axles and equalizer pins are heat treated for maximum strength and wear life.
- Geared versions have fully machined trackwheel gears and incorporate a swinging chain guide which keeps the hand chain aligned and free from jamming.
- Available to fit a broad range of wider flange beams and patented track applications not listed - contact factory.
- Made in the USA
- Spark resistant models available — add suffix “SR”



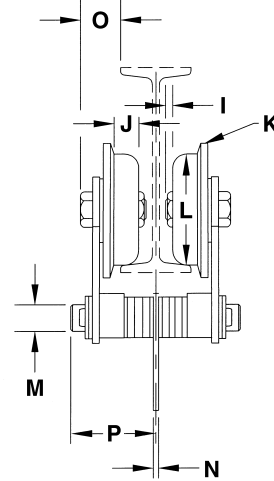
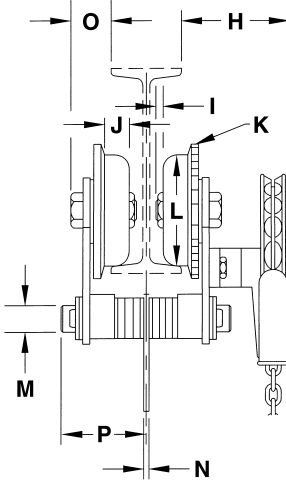
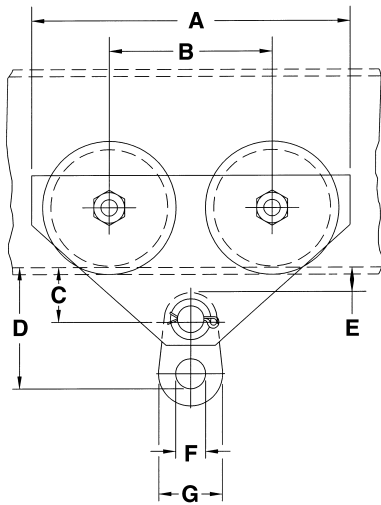
## Specifications

Product code	Rated capacity (tons)	Beam height (in.)	Flange width (in.)	Minimum radius curve (in.)	Approximate net weight	
					Plain	† Geared
1641-0025    1642-0025	1/4	4 - 12	2.66 - 5.00	20	23	38
1641-0050    1642-0050	1/2	4 - 12	2.66 - 5.00	20	23	38
1641-0100    1642-0100	1	5 - 12	3.00 - 6.00	24	43	62
1641-0150    1642-0150	1 1/2	5 - 12	3.00 - 6.00	24	45	65
1641-0200    1642-0200	2	6 - 18	3.33 - 6.25	30	67	90
1641-0300    1642-0300	3	6 - 18	3.33 - 6.25	30	70	93
1641-0400    1642-0400	4	8 - 24	4.00 - 7.00	36	155	184
1641-0500    1642-0500	5	8 - 24	4.00 - 7.00	36	160	188
1641-0600    1642-0600	6	8 - 24	4.00 - 7.00	36	160	188
1641-0800    1642-0800	8	10 - 24	4.62 - 8.00	60	300	347
1641-1000    1642-1000	10	10 - 24	4.62 - 8.00	60	310	360
1641-1200    1642-1200	12	10 - 24	4.62 - 8.00	60	310	360
1631-1600    1632-1600	16	18 - 24	6.00 - 8.00	96	800	895
1631-2000    1632-2000	20	18 - 24	6.00 - 8.00	96	845	955
1631-2500    1632-2500	25	18 - 24	6.00 - 8.00	120	1045	1200

For wide flange beam adaptation, patented track or for beams larger than standard - contact factory.

† Weight less hand chain. 8 Ft. standard zinc plated hand chain drop on geared trolley. Specify curve on order.

Series 84A



Cap. (tons)	A	B	C	D	E	F	G	H	I	J	K	L	M	N	O	P
1/4	11 1/2	6	17/8	47/8	7/8	13/4	23/4	6	—	7/8	4	27/8	1	1/4	2	4 1/8
1/2	11 1/2	6	17/8	47/8	7/8	13/4	23/4	6	—	7/8	4	27/8	1	1/4	2	4 1/8
1	13 1/4	6 3/4	2 1/4	5 3/8	1	13/4	3	6 1/8	—	1 1/8	5	3 3/4	1 1/4	1/4	1 3/4	4 3/4
1 1/2	13 1/4	6 3/4	2 1/4	5 3/8	1	2	3 1/4	6 1/8	—	1 1/8	5	3 3/4	1 1/4	3/8	1 3/4	4 3/4
2	15 5/8	7 5/8	2 5/8	6 3/4	1 1/8	2 1/8	3 5/8	6 1/8	—	1 1/8	6	4 1/2	1 1/2	3/8	2 1/8	5 1/4
3	15 5/8	7 5/8	2 5/8	6 7/8	1 1/8	2 1/4	4	6 1/8	—	1 1/8	6	4 1/2	1 1/2	1/2	2 1/8	5 1/4
4	18 3/4	8 1/2	3 1/4	8 3/8	1 1/4	2 3/4	4 3/4	8 1/8	1/8	1 3/8	8	6 3/8	2	5/8	2 5/8	6 1/8
5	18 3/4	8 1/2	3 1/4	8 5/8	1 1/4	3	5 1/2	8 1/8	1/8	1 3/8	8	6 3/8	2	5/8	2 5/8	6 1/8
6	18 3/4	8 1/2	3 1/4	8 5/8	1 1/4	3	5 1/2	8 1/8	1/8	1 3/8	8	6 3/8	2	5/8	2 5/8	6 1/8
8	23 5/8	10 5/8	3 7/8	10 5/8	1 3/8	3 1/2	6 1/2	9	1/8	1 11/16	10	8 1/4	2 1/2	3/4	3 1/4	6 7/8
10	23 5/8	10 5/8	3 7/8	11 1/8	1 3/8	4 1/2	8	9	1/8	1 11/16	10	8 1/4	2 1/2	1	3 1/4	6 7/8
12	23 5/8	10 5/8	3 7/8	11 1/8	1 3/8	4 1/2	8	9	1/8	1 11/16	10	8 1/4	2 1/2	1	3 1/4	6 7/8
16	28 1/4	14	5 7/8	15 1/4	2 1/2	4	9	14 1/2	5/16	2	13 1/2	11 3/4	3 1/4	1 1/2	7	8
20	28 1/4	14	5 7/8	16 5/8	2 1/2	4	10	14 1/2	5/16	2	13 1/2	11 3/4	3 1/4	1 3/4	7	8 1/4
25	28 1/4	14	5 7/8	16 3/4	2 1/8	4	10	14 1/2	5/16	2	13 1/2	11 3/4	3 1/4	1 3/4	7	8 1/4

**Notes:** All dimensions are in inches.  
 Wheels with convex treads are standard on all capacities.  
 20, 25, 30 and 40 ton trolleys can be furnished in tandem construction - Dimensions for 30 through 50 ton units available upon request.  
 \* Dimensions shown are for minimum beam size and will vary proportionately for larger beams.

For more information contact:  
 American Crane & Equipment Corp.  
 Authorized Distributor  
 Tel: 877-503-2972  
 Fax: 484-945-0430  
 sales@americancrane.com  
 www.americancrane.com

**⚠ WARNING**

**Overloading and improper use can result in injury**

**TO AVOID INJURY:**

- Do not exceed working load limit, load rating or capacity.
- Do not use to lift people or loads over people.
- Use only CM alloy chain for overhead lifting.
- Read and follow all instructions.



**COLUMBUS McKINNON CORPORATION**

INDUSTRIAL PRODUCTS DIVISION  
 AMHERST, NEW YORK 14228-1197  
 800/888-0985 • 716/689-5400 • FAX 716/689-5644  
 e-mail: cm.industrial@cmworks.com  
 www.cmworks.com

COLUMBUS McKINNON LIMITED  
 11 Brook Road North  
 P.O. Box 1106  
 Cobourg, Ontario K9A4W5 Canada