

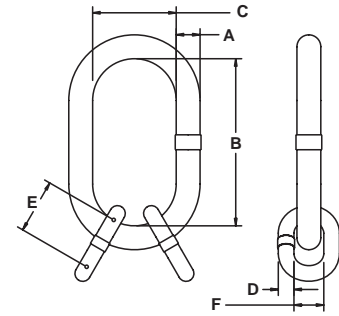
# HERC-ALLOY® Sub-Assemblies

## 800

### Sub-Assembly



- Designed for triple and quad branch HA 800 slings
- Consists of an Oblong Master link and two Master Coupling links
- Durable orange powder coat finish
- May be used for mechanical and welded sling assemblies
- 100% proof tested

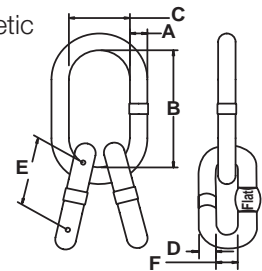


| Trade Size      | Catalog No. | Working Load Limit at 60° | Product Code | Master Link Nominal Dim. |                    |                   | Intermediate Link Nominal Dim. |                    |                   | Weight | Type & Size of Chain Sling on Which Used |       |
|-----------------|-------------|---------------------------|--------------|--------------------------|--------------------|-------------------|--------------------------------|--------------------|-------------------|--------|--|-------|
|                 |             |                           |              | Material Diameter<br>A   | Inside Length<br>B | Inside Width<br>C | Material Diameter<br>D         | Inside Length<br>E | Inside Width<br>F |        | Triple                                   | Quad  |
| <b>Imperial</b> |             |                           |              |                          |                    |                   |                                |                    |                   |        |  |       |
| in.             |             | lb.                       |              | in.                      | in.                | in.               | in.                            | in.                | in.               | lb.    | in.                                      | in.   |
| 1/2             | HA50-SA     | 7,000                     | 554974       | 0.512                    | 5.000              | 2.500             | 0.343                          | 1.125              | 0.625             | 0.79   | 7/32                                     | 7/32  |
| 3/4             | HA75-SA     | 14,200                    | 554975       | 0.750                    | 5.500              | 2.750             | 0.512                          | 1.750              | 1.063             | 2.08   | 9/32                                     | 9/32  |
| 1               | HA100-SA    | 24,000                    | 554976       | 1.000                    | 7.000              | 3.500             | 0.656                          | 2.250              | 1.250             | 4.59   | 3/8                                      | 3/8   |
| 1-1/4           | HA125-SA    | 36,200                    | 554977       | 1.250                    | 8.750              | 4.375             | 0.906                          | 3.125              | 1.750             | 9.16   | 1/2                                      | 1/2   |
| 1-1/2           | HA150-SA    | 56,600                    | 554978       | 1.500                    | 10.500             | 5.250             | 1.125                          | 4.000              | 2.250             | 15.66  | 5/8                                      | 5/8   |
| 1-3/4           | HA175-SA    | 84,900                    | 554979       | 1.750                    | 12.000             | 6.000             | 1.250                          | 4.380              | 2.375             | 24.44  | 3/4                                      | 3/4   |
| 2               | HA200-SA    | 102,600                   | 554980       | 2.000                    | 14.000             | 7.000             | 1.500                          | 5.250              | 2.750             | 37.27  | 7/8                                      | 7/8   |
| 2-1/4           | HA225-SA    | 144,600                   | 554981       | 2.250                    | 16.000             | 8.000             | 1.750                          | 6.000              | 3.000             | 54.03  | 1  | 1     |
| 2-3/4           | HA275-SA    | 216,900                   | 554983       | 2.750                    | 16.000             | 9.000             | 2.000                          | 7.000              | 3.500             | 84.84  | 1-1/4                                    | 1-1/4 |



### Sub-Assembly with Flats

- Designed to accept Herc-Alloy 800 chain, wire rope and synthetic
- Durable orange powder finish
- 100% proof tested
- May be used for mechanical and welded sling assemblies
- Extra wide body for wire rope applications
- Sizes up to 1 1/4" intermediate links available with flats to accommodate Omega link



| Trade Size      | Working Load Limit | Product Code | Master Link Nominal Dim. |                    |                   | Intermediate Link Nominal Dim. |                    |                   | Weight | Type & Size of Chain Sling on which used |       |
|-----------------|--------------------|--------------|--------------------------|--------------------|-------------------|--------------------------------|--------------------|-------------------|--------|--|-------|
|                 |                    |              | Material Diameter<br>A   | Inside Length<br>B | Inside Width<br>C | Material Diameter<br>D         | Inside Length<br>E | Inside Width<br>F |        | Triple                                   | Quad  |
| <b>Imperial</b> |                    |              |                          |                    |                   |                                |                    |                   |        |  |       |
| in.             | lb.                |              | in.                      | in.                | in.               | in.                            | in.                | in.               | lb.    | in.                                      | in.   |
| 1/2             | 4,600              | SA050        | 0.512                    | 4.838              | 2.688             | 0.437                          | 4.130              | 2.294             | 1.8    | -  | -     |
| 5/8             | 7,200              | SA063        | 0.625                    | 5.292              | 2.977             | 0.512                          | 4.838              | 2.688             | 2.9    | 7/32                                     | 7/32  |
| 3/4             | 11,200             | SA075        | 0.750                    | 6.611              | 3.719             | 0.625                          | 5.292              | 2.977             | 5.0    | 9/32                                     | 9/32  |
| 7/8             | 13,840             | SA087        | 0.875                    | 7.350              | 4.135             | 0.625                          | 5.292              | 2.977             | 6.3    | -  | -     |
| 1               | 21,200             | SA100        | 1.000                    | 7.526              | 4.301             | 0.750                          | 6.611              | 3.719             | 9.9    | 3/8                                      | 3/8   |
| 1-1/4           | 29,920             | SA125        | 1.250                    | 9.261              | 5.292             | 1.000                          | 7.526              | 4.301             | 19.9   | 1/2                                      | 1/2   |
| 1-1/2           | 42,400             | SA150        | 1.500                    | 11.025             | 6.300             | 1.000                          | 7.526              | 4.301             | 26.5   | -  | -     |
| 1-3/4           | 57,720             | SA175        | 1.750                    | 12.863             | 7.350             | 1.250                          | 9.261              | 5.292             | 44.0   | 5/8                                      | 5/8   |
| 2               | 75,360             | SA200        | 2.000                    | 14.700             | 8.400             | 1.500                          | 11.025             | 6.300             | 70.8   | 3/4                                      | 3/4   |
| 2-1/4           | 95,360             | SA225        | 2.250                    | 16.538             | 9.450             | 1.750                          | 12.863             | 7.350             | 104.8  | 7/8                                      | 7/8   |
| 2-1/2           | 117,720            | SA250        | 2.500                    | 18.375             | 10.500            | 1.750                          | 12.863             | 7.350             | 125.2  | 1  | 1     |
| 2-3/4           | 142,400            | SA275        | 2.750                    | 20.213             | 11.550            | 2.000                          | 14.700             | 8.400             | 176.5  | -  | -     |
| 3               | 192,680            | SA300        | 3.000                    | 18.900             | 11.025            | 2.250                          | 16.538             | 9.450             | 223.2  | 1-1/4                                    | 1-1/4 |
| 3-1/4           | 226,120            | SA325        | 3.250                    | 20.475             | 11.944            | 2.500                          | 18.375             | 10.500            | 294.9  | -  | -     |
| 3-1/2           | 262,240            | SA350        | 3.500                    | 22.050             | 12.863            | 2.750                          | 20.213             | 11.550            | 380.6  | -  | -     |