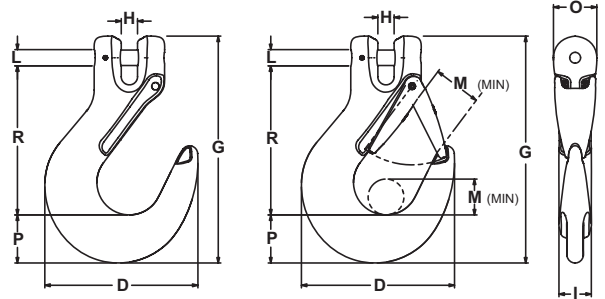


## Clevlok Sling Hook



- Fraction and metric markings
- Fatigue rated to Grade 100 specifications
- Fits Grade 80 and Grade 100 chain
- New “I” beam body
- 100% proof tested
- Improved forged latch
- New CE compliant hooks and latches
- Meets EN 1677

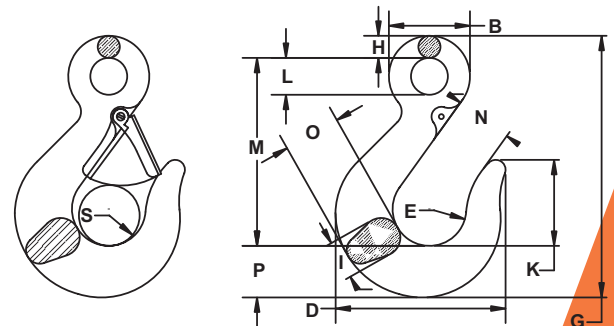


| Size            | Working Load Limit | Product Code w/ latch | Product Code w/o latch | Latch Kit | Dimensions |       |      |      |      |      |      |      |      | Weight w/o latch |
|-----------------|--------------------|-----------------------|------------------------|-----------|------------|-------|------|------|------|------|------|------|------|------------------|
|                 |                    |                       |                        |           | D          | G     | H    | I    | L    | M    | O    | P    | R    |                  |
| <b>Imperial</b> |                    |                       |                        |           |            |       |      |      |      |      |      |      |      |                  |
| in.             | lb.                |                       |                        |           | in.        | in.   | in.  | in.  | in.  | in.  | in.  | in.  | in.  | in.              |
| 9/32            | 4,300              | 657718                | 557718                 | 4X455322  | 3.53       | 5.23  | 0.38 | 0.75 | 0.36 | 0.83 | 1.00 | 1.11 | 3.44 | 1.20             |
| 3/8             | 8,800              | 657719                | 557719                 | 4X455325  | 4.38       | 6.53  | 0.47 | 0.97 | 0.51 | 1.06 | 1.16 | 1.36 | 4.32 | 2.21             |
| 1/2             | 15,000             | 657720                | 557720                 | 4X455328  | 5.48       | 8.03  | 0.58 | 1.18 | 0.63 | 1.38 | 1.50 | 1.61 | 5.35 | 4.22             |
| 5/8             | 22,600             | 657721                | 557721                 | 4X455329  | 6.20       | 8.43  | 0.71 | 1.44 | 0.75 | 1.69 | 1.74 | 1.92 | 6.12 | 6.64             |
| 3/4             | 35,300             | 657722                | 553722                 | 4X455330  | 7.09       | 10.80 | 0.88 | 1.81 | 0.94 | 2.09 | 2.00 | 2.08 | 7.25 | 11.22            |

## Eye Sling Hook



- Fraction and metric markings
- Available with or without latch
- Painted gray for easy Grade 100 identification
- 100% proof tested
- Fatigue rated to Grade 100 specifications
- For welded 7/32" Chain Sling use 9/32" Eye Hook



| Size            | Working Load Limit | Product Code w/ latch | Product Code w/o latch | Latch Kit | Dimensions |      |      |       |      |      |      |      |      |      |      |      | Weight |      |
|-----------------|--------------------|-----------------------|------------------------|-----------|------------|------|------|-------|------|------|------|------|------|------|------|------|--------|------|
|                 |                    |                       |                        |           | B          | D    | E    | G     | H    | I    | K    | L    | M    | N    | O    | P    |        | S    |
| <b>Imperial</b> |                    |                       |                        |           |            |      |      |       |      |      |      |      |      |      |      |      |        |      |
| in.             | lb.                |                       |                        |           | in.        | in.  | in.  | in.   | in.  | in.  | in.  | in.  | in.  | in.  | in.  | in.  |        |      |
| 9/32            | 4,300              | 558622                | 458622                 | 595523    | 1.63       | 3.50 | 1.50 | 5.25  | 0.44 | 0.73 | 1.59 | 0.75 | 3.75 | 1.19 | 1.20 | 1.05 | 1.06   | 1.1  |
| 3/8             | 8,800              | 558625                | 458625                 | 595525    | 2.06       | 4.33 | 1.88 | 6.64  | 0.56 | 0.95 | 2.19 | 0.94 | 4.78 | 1.44 | 1.45 | 1.28 | 1.31   | 1.9  |
| 1/2             | 15,000             | 558628                | 458628                 | 595528    | 2.63       | 5.50 | 2.25 | 8.16  | 0.75 | 1.17 | 2.56 | 1.13 | 5.69 | 1.78 | 1.94 | 1.66 | 1.63   | 4.5  |
| 5/8             | 22,600             | 558629                | 458629                 | 595529    | 3.06       | 6.34 | 2.63 | 9.66  | 0.88 | 1.44 | 2.63 | 1.31 | 6.50 | 2.03 | 2.38 | 2.19 | 1.75   | 7.3  |
| 3/4             | 35,300             | 558630                | 458630                 | 595530    | 3.50       | 7.83 | 3.00 | 11.38 | 1.00 | 1.69 | 3.44 | 1.50 | 7.81 | 2.50 | 2.83 | 2.51 | 2.19   | 11.4 |