

# TRACTOR DRIVES FOR MOTORIZED MOVEMENT

## Gorbel's Tractor Drive

Gorbel Tractor Drives provide motorized movement on new or existing Gorbel enclosed track Work Station Cranes and Straight Monorails. The drive is available for steel track and is designed for indoor use. Aluminum is custom - contact dealer.

### Use When:

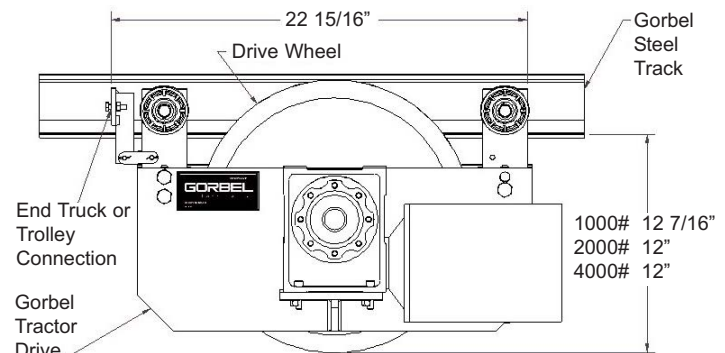
- An operator cannot stand next to the load to move it by hand.
- Operations have high cycle times that require frequent lifting of heavy, awkward-shaped loads on large, heavy systems

### Gorbel's Steel Track Drive Features:

- Spring-loaded compression adjustment on drive wheel for constant pressure and smooth operation
- Modular drive design for easy installation
- An industry leading 2 year warranty
- Direct drive for precise positioning
- Bolt-on end truck/trolley connections for quick, easy field installation

### Features for Steel Track:

- Worm gear reducer, sealed and lubricated for reliable operation
- Precision drive assembly and specially designed drive wheel with a molded polyurethane tread for smooth acceleration and long life
- Drive wheel rides along inside, top of the track (to avoid splice joint sleeve)
- 1/3 HP, 1800 RPM motor
- Standard speed of 120 feet per minuet (fpm). Other speeds are available. Speed is adjusted through motor controller (VFD).
- Standard drives are configured for 208-460 volt 3 phase power, 575 volt is also available
- Adjustable counter-balance to ensure proper drive wheel alignment



### Standard Electrical Control Package Includes:

- Variable Frequency Drive (VFD) Controller with soft start and soft stop. VFD can be set for single speed 30-120 fpm or three speed (i.e. 30, 60, 120 fpm).
- Mainline Contactor (120 volt or 24 volt)
- Control transformer
- Terminal Strips (labeled)
- Mainline and Branch fusing
- Thermal Overload Protection for all motors
- NEMA 12, 3R, 4 Enclosure

### Wiring Options:

Gorbel does not wire the control panel to the drive motor as standard. As an option, Gorbel will wire the crane system at the factory for the drives and electrical controls with plug-in connections to drive motors for quick and easy installation. When the crane arrives on site, you only need to install the drives onto the track, plug-in the connections, and you are ready to go.

### Other Options: Pendant, Fusible Disconnect, and Hoist with Integration

For more information contact:  
American Crane & Equipment Corp.  
Authorized Distributor  
Tel: 877-877-6776 Fax: 610-385-3191  
sales@americancrane.com www.americancrane.com