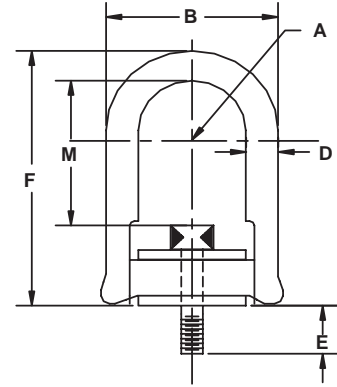


Hoist Rings

Hoist Ring Forged



- Pivots 180° and swivels 360° simultaneously
- Back and side pins constructed of one piece of forged alloy steel
- 100% magnetic particle inspected
- Bale and center body are closed die forged to assure superior grain flow and consistent dimensional accuracy
- Large bale allows use of a variety of hook sizes



Product Code	Rated Load	Dimensions							Torque Load	Weight	
		A	B	D	E	F	Thread	M			
Imperial											
	lb.	in.	in.	in.	in.	in.	in.	in.	in.	Ft.-Load	lb.
433112	500	0.65	2.29	0.44	0.56	3.23	1/4-20	1.57	5	0.50	
433212	800	0.65	2.29	0.44	0.56	3.23	5/16-18	1.51	7	0.52	
433214	800	0.65	2.29	0.44	1.06	3.23	5/16-18	1.51	7	0.54	
433312	1,000	0.65	2.29	0.44	0.56	3.23	3/8-16	1.45	12	0.56	
433314	1,000	0.65	2.29	0.44	1.06	3.23	3/8-16	1.45	12	0.58	
433512	2,500	1.00	3.50	0.75	0.75	5.31	1/2-13	2.56	28	1.71	
433515	2,500	1.00	3.50	0.75	1.00	5.31	1/2-13	2.56	28	1.72	
433516	2,500	1.00	3.50	0.75	1.25	5.31	1/2-13	2.56	28	1.82	
433612	4,000	1.00	3.50	0.75	0.75	5.31	5/8-11	2.44	60	1.76	
433614	4,000	1.00	3.50	0.75	1.00	5.31	5/8-11	2.44	60	1.78	
433615	4,000	1.00	3.50	0.75	1.25	5.31	5/8-11	2.44	60	1.88	
433714	5,000	1.00	3.50	0.75	1.00	5.31	3/4-10	2.31	100	1.89	
433716	5,000	1.00	3.50	0.75	1.50	5.31	3/4-10	2.31	100	2.02	
433102	7,000	1.40	5.10	1.00	1.20	7.00	3/4-10	3.20	100	7.23	
433103	7,000	1.40	5.10	1.00	1.70	7.00	3/4-10	3.20	100	7.25	
433101	8,000	1.40	5.10	1.00	1.20	7.00	7/8-9	3.07	160	7.33	
433105	10,000	1.40	5.10	1.00	1.45	7.00	1-8	2.95	230	7.57	
433106	10,000	1.40	5.10	1.00	1.70	7.00	1-8	2.95	230	7.63	
433107	10,000	1.40	5.10	1.00	2.45	7.00	1-8	2.95	230	7.84	
433401	15,000	2.00	6.75	1.25	2.63	9.22	1 1/4-7	3.74	470	16.00	
433420	20,000	2.00	6.75	1.25	2.63	9.22	1 3/8-6	3.62	670	17.20	
433424	24,000	2.00	6.75	1.25	2.63	9.22	1 1/2-6	3.49	800	18.10	
433427	30,000	2.00	6.75	1.25	2.96	9.22	2-4.5	3.49	800	22.90	
433432	30,000	2.00	6.75	1.25	2.96	9.22	2-8	3.49	800	22.90	

⚠ WARNING ⚠

Improper installation and use of hoist rings can cause injury

To avoid injury:

- Do not exceed rated load.
- Install rings per instructions. Verify full 360° seating - Retorque periodically.
- Consult angular lifting graph when lifting at other than 90°.