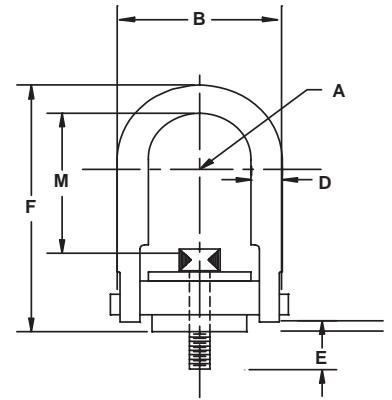


Hoist Ring Machined



- Pivots 180° and swivels 360° simultaneously
- Bale and shoulder pin machined from alloy steel
- Patented design provides shoulder pin retention with specialized clip
- Easily disassembled for periodic non-destructive inspection
- Special available in stainless steel and metric sizes



Product Code	Rated Load	Dimensions							Weight
		A	D	E	F	Thread	H	M	
Imperial									
	lb.	in.	in.	in.	in.	in.	in.	in.	lb.
423050	550	0.43	0.38	0.29	2.67	1/4-20	1.84	1.33	0.30
423051	800	0.43	0.38	0.29	2.67	5/16-18	1.84	1.27	0.31
423052	800	0.43	0.38	0.54	2.67	5/16-18	1.84	1.27	0.31
423053	1,000	0.43	0.38	0.54	2.67	3/8-16	1.84	1.21	0.31
423301	2,500	0.70	0.50	1.07	3.77	1/2-13	2.58	1.84	1.00
423004	2,500	0.88	0.75	0.78	4.78	1/2-13	3.52	2.31	2.31
423322	2,500	0.88	0.75	0.78	6.72	1/2-13	3.52	4.25	2.75
423005	2,500	0.88	0.75	1.03	4.78	1/2-13	3.52	2.31	2.31
423323	2,500	0.88	0.75	1.03	6.72	1/2-13	3.52	4.25	2.00
423006	2,500	0.88	0.75	1.28	4.78	1/2-13	3.52	2.31	2.31
423324	2,500	0.88	0.75	1.28	6.72	1/2-13	3.52	4.25	2.75
423001	4,000	0.88	0.75	0.78	4.78	5/8-11	3.52	2.18	2.44
423002	4,000	0.88	0.75	1.03	4.78	5/8-11	3.52	2.18	4.44
423320	4,000	0.88	0.75	1.03	6.72	5/8-11	3.52	4.12	2.88
423003	4,000	0.88	0.75	1.28	4.78	5/8-11	3.52	2.18	2.44
423321	4,000	0.88	0.75	1.28	6.72	5/8-11	3.52	4.12	2.88
423007	5,000	0.88	0.75	1.03	4.78	3/4-10	3.52	2.06	2.56
423009	5,000	0.88	0.75	1.53	4.78	3/4-10	3.52	2.06	2.56
423327	5,000	0.88	0.75	1.53	6.72	3/4-10	3.52	4.00	3.00
423102	7,000	1.40	1.00	1.04	6.52	3/4-10	5.14	3.06	6.63
423329	7,000	1.40	1.00	1.04	8.11	3/4-10	5.14	4.65	7.25
423103	7,000	1.40	1.00	1.54	6.52	3/4-10	5.14	3.06	6.63
423330	7,000	1.40	1.00	1.54	8.11	3/4-10	5.14	4.65	6.63
423101	8,000	1.40	1.00	1.04	6.52	7/8-9	5.14	2.93	6.75
423328	8,000	1.40	1.00	1.04	8.11	7/8-9	5.14	4.52	6.75
423105	10,000	1.40	1.00	1.29	6.52	1-8	5.14	2.81	7.00
423331	10,000	1.40	1.00	1.29	8.11	1-8	5.14	4.40	7.00
423332	10,000	1.40	1.00	1.54	8.11	1-8	5.14	4.40	7.00
423106	10,000	1.40	1.00	1.54	6.52	1-8	5.14	2.81	7.00
423107	10,000	1.40	1.00	2.29	6.52	1-8	5.14	2.81	7.00
423333	10,000	1.40	1.00	2.29	8.11	1-8	5.14	4.4	7.00
423401	15,000	1.75	1.25	1.89	8.73	1-1/4-7	6.50	4.12	14.00
423202	24,000	2.25	1.75	2.70	12.47	1-1/2-6	8.55	6.41	33.75
423200	30,000	2.25	1.75	2.96	12.47	2-4-1/2	8.55	5.41	36.00
423501	50,000	3.00	2.25	4.00	16.87	2-1/2-8	11.67	8.03	87.50
423503	50,000	3.00	2.25	4.00	16.87	2-1/2-4	11.67	8.03	87.50
423600	75,000	3.75	2.75	5.20	19.50	3-4	14.15	8.48	166.00
423701	100,000	4.00	3.25	7.00	22.09	3.5-4	15.90	9.28	240.00