

The equipment illustrated and described in this bulletin is designed for manual operation only and is not to be power driven, nor is it suitable for lifting people.

## IMPORTANT

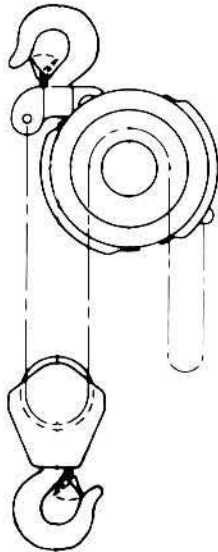
PZ482

Keep  
for Future  
Reference

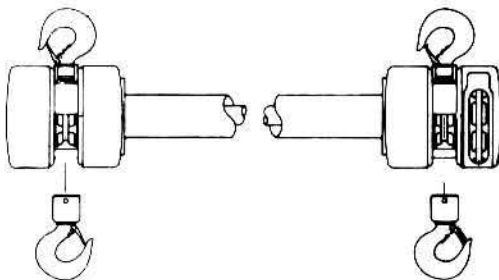
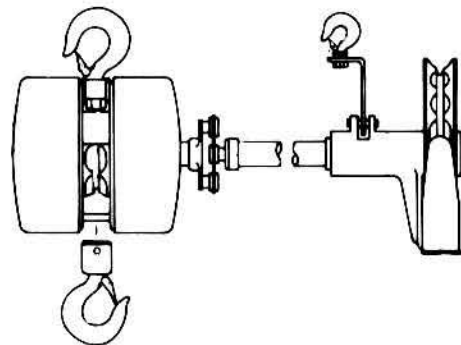
Service Instructions and Parts List

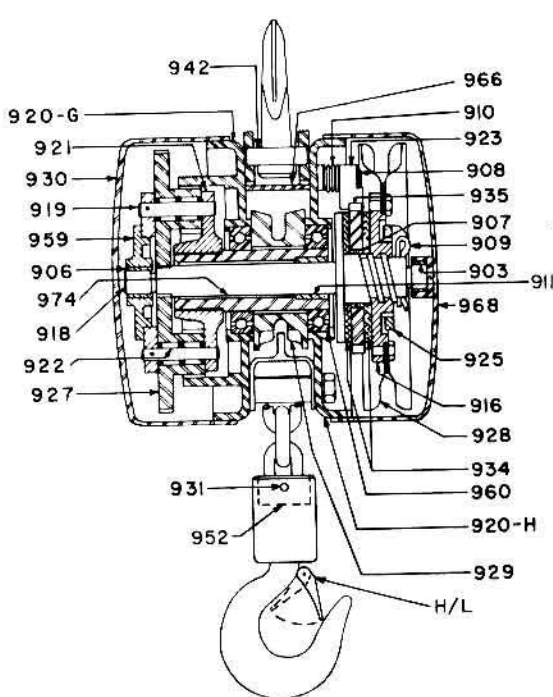
*Zephyr*

## SPUR GEARED HOIST, EXTENDED HANDWHEEL HOIST, and TWIN HOOK HOIST

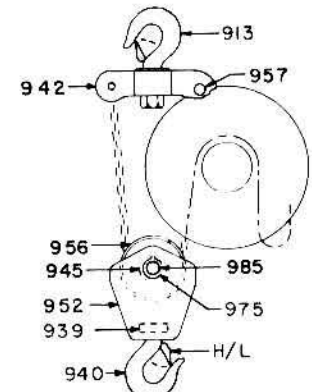
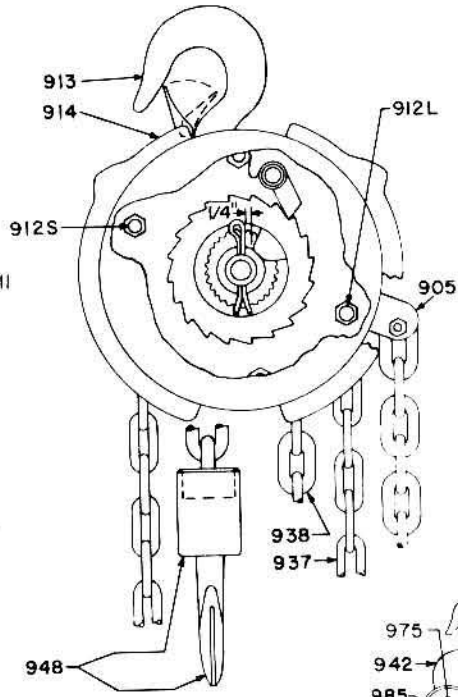


FOR MORE INFO CONTACT:  
American Crane & Equipment Corp.  
Authorized Distributor  
Tel: 877-503-2972  
Fax: 484-945-0430  
Email: [sales@americancrane.com](mailto:sales@americancrane.com)  
[www.americancrane.com](http://www.americancrane.com)

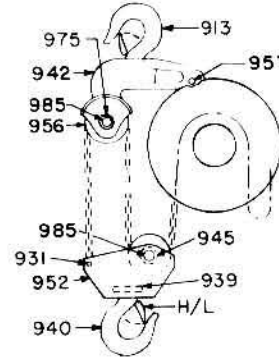




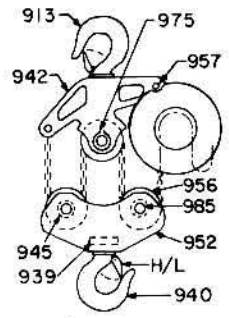
1/2 TO 2 TON



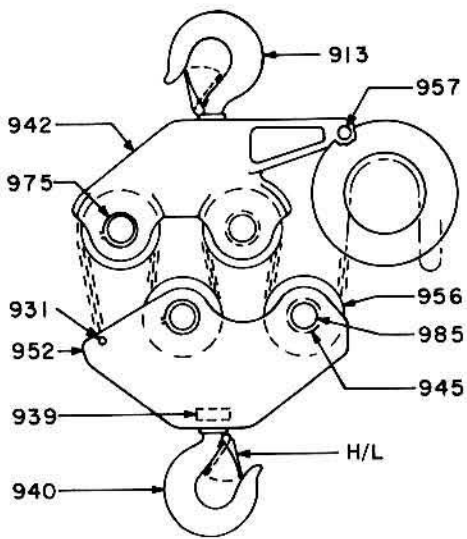
3 AND 4 TON



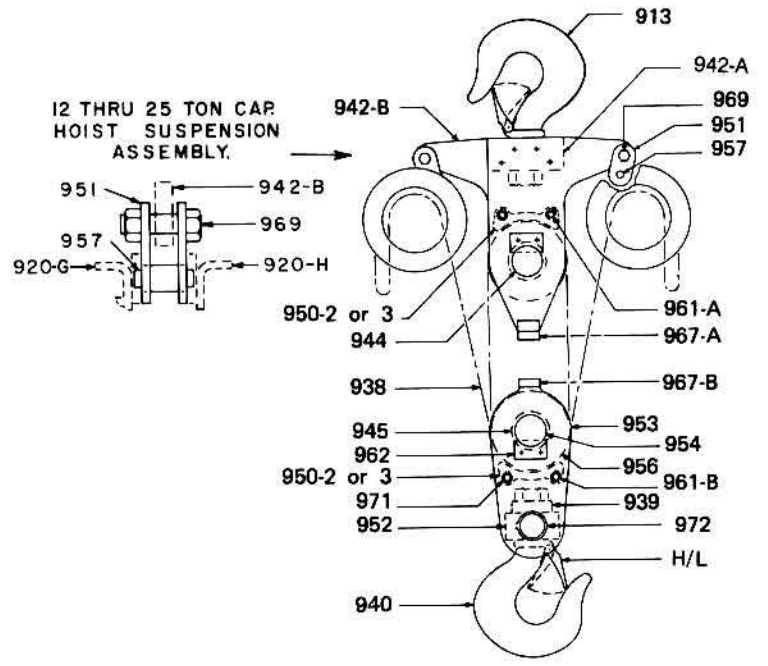
5 AND 6 TON



8 TON



10 TON

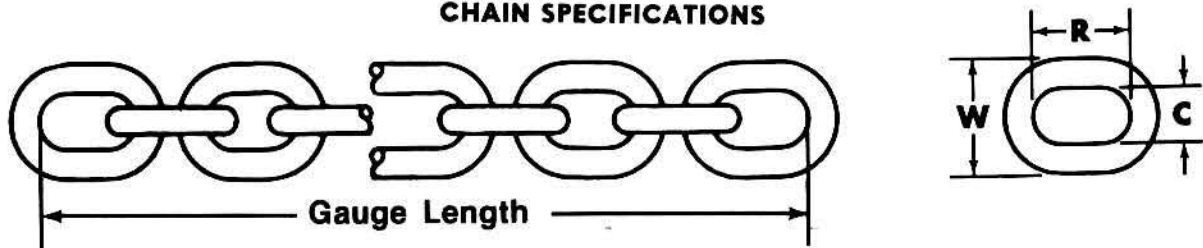


12 TO 25 TON

PART NO.	DESCRIPTION	QUANTITIES PER CAPACITY IN TONS													
		1/4&1/2	1	1 1/2	2	3	4	5&6	8	10	12	16	20	25	
903	Bronze Bushing in Handwheel Cover	1	1	1	1	1	1	1	1	1	2	2	2	2	
905	Load Chain Guide	1	1	1	1	1	1	1	1	1	2	2	2	2	
906	Bronze Bushing for 959	1	1	1	1	1	1	1	1	1	2	2	2	2	
907	Ratchet Bushing for 935	1	1	1	1	1	1	1	1	1	2	2	2	2	
908	Pawl Snap Ring	1	1	1	1	1	1	1	1	1	2	2	2	2	
909	Cotter Pin	1	1	1	1	1	1	1	1	1	2	2	2	2	
910	Pawl Spring	1	1	1	1	1	1	1	1	1	2	2	2	2	
911	Bronze Bushing for 974	—	—	1	1	1	1	1	1	1	2	2	2	2	
912L	Large Separator Stud	—	—	1	1	1	1	1	1	1	1	1	1	1	
912S	Small Separator Stud	—	—	3	3	3	3	3	3	3	3	3	3	3	
913	Top Hook & Nut	1	1	1	1	1	1	1	1	1	1	1	1	1	
914	Hand Chain Guide	2	2	2	2	2	2	2	2	2	4	4	4	4	
916	Handwheel Treaded Insert	1	1	1	1	1	1	1	1	1	2	2	2	2	
918	Spindle	1	1	1	1	1	1	1	1	1	2	2	2	2	
919	Gear & Pinion Shaft	1	2	2	2	2	2	2	2	2	4	4	4	4	
920G	Internal Gear Frame	1	1	1	1	1	1	1	1	1	2	2	2	2	
920H	Handwheel Side Frame	1	1	1	1	1	1	1	1	1	2	2	2	2	
921	Pinion Cage	1	1	1	1	1	1	1	1	1	2	2	2	2	
922	Needle Bearings for Gear & Pinion	2	4	4	4	4	4	4	4	4	8	8	8	8	
923	Pawl	1	1	1	1	1	1	1	1	1	2	2	2	2	
925	Adjustable Check Ring	1	1	1	1	1	1	1	1	1	2	2	2	2	
927	Gear & Pinion	1	2	2	2	2	2	2	2	2	4	4	4	4	
928	Handwheel	1	1	1	1	1	1	1	1	1	2	2	2	2	
929	Load Sheave	1	1	1	1	1	1	1	1	1	2	2	2	2	
930	Gear Cover	1	1	1	1	1	1	1	1	1	2	2	2	2	
931	Drive Pin	1	1	1	1	—	—	—	—	—	—	—	—	—	
934	Brake Disc, Per/Pair	1	1	1	1	1	1	1	1	1	2	2	2	2	
935	Ratchet with 907 Bushing	1	1	1	1	1	1	1	1	1	2	2	2	2	
937	Hand Chain	1	1	1	1	1	1	1	1	1	2	2	2	2	
938	Load Chain	1	1	1	1	1	1	1	1	1	1	1	1	1	
939	Thrust Bearing	—	—	—	—	1	1	1	1	1	1	1	1	1	
940	Bottom Hook & Nut	—	—	—	—	1	1	1	1	1	1	1	1	1	
H/L	Hook Latch	2	2	2	2	2	2	2	2	2	2	2	2	2	
942	Top Hook Crosshead or Yoke	1	1	1	1	1	1	1	1	1	—	—	—	—	
942A	Top Yoke Block	—	—	—	—	—	—	—	—	—	1	1	1	1	
942B	Top Yoke Side Plate	—	—	—	—	—	—	—	—	—	2	2	2	2	
944	Top Sheave Pin	—	—	—	—	—	—	—	—	—	1	1	1	1	
945	Idler Sheave Bearing	—	—	—	—	1	1	2	3	4	5	7	9	11	
948	Bottom Hook Assembly	1	1	1	1	—	—	—	—	—	—	—	—	—	
950-2	Top or Bottom Chain Guide - 2 Grooves	—	—	—	—	—	—	—	—	—	1	2	3	1	
950-3	Top or Bottom Chain Guide - 3 Grooves	—	—	—	—	—	—	—	—	—	1	1	1	3	
951	Hoist Clevis	—	—	—	—	—	—	—	—	—	4	4	4	4	
952	Bottom Block or Crosshead	1	1	1	1	1	1	1	1	1	1	1	1	1	
953	Bottom Block Side Plates	—	—	—	—	—	—	—	—	—	2	2	2	2	
954	Bottom Sheave Pin	—	—	—	—	—	—	—	—	—	1	1	1	1	
956	Top or Bottom Idler Sheave	—	—	—	—	1	1	2	3	4	5	7	9	11	
957	Top Yoke Pin	—	—	—	—	1	1	1	1	1	2	2	2	2	
959	Pinion Cage Bearing Block	1	1	1	1	1	1	1	1	1	2	2	2	2	
960	Load Sheave Shaft Bearing	2	2	2	2	2	2	2	2	2	4	4	4	4	
961A	Top Idler Guide Pin	—	—	—	—	—	—	—	—	—	2	2	2	2	
961B	Bottom Idler Guide Pin	—	—	—	—	—	—	—	—	—	2	2	2	2	
962	Top or Bottom Idler Axle Keeper	—	—	—	—	—	—	—	—	—	2	2	2	2	
966	Load Sheave Shield	1	1	1	1	1	1	1	1	1	2	2	2	2	
967A	Top Yoke Contact Bar	—	—	—	—	—	—	—	—	—	1	1	1	1	
967B	Bottom Block Contact Bar	—	—	—	—	—	—	—	—	—	1	1	1	1	
968	Handwheel Cover with 903 Bushing	1	1	1	1	1	1	1	1	1	2	2	2	2	
969	Hoist Clevis Bolt & Nut	—	—	—	—	—	—	—	—	—	2	2	2	2	
971	Top or Bottom Guide Pin Snap Ring	—	—	—	—	—	—	—	—	—	8	8	8	8	
972	Bottom Crosshead (952) Snap Ring	—	—	—	—	—	—	—	—	—	2	2	2	2	
974	Load Shaft, Splined	1	1	1	1	1	1	1	1	1	2	2	2	2	
975	Snap Ring for 985 Sheave Axle	—	—	—	—	2	2	4	6	8	—	—	—	—	
985	Top or Bottom Sheave Axle	—	—	—	—	1	1	2	3	4	—	—	—	—	
	<b>SPECIAL FASTENERS (NOT SHOWN)</b>														
998	Gear (930) & Handwheel (968) Cover Screw	8	8	8	8	8	8	8	8	8	16	16	16	16	
999	Hand Chain Guide (914) Screw	8	8	8	8	8	8	8	8	8	16	16	16	16	

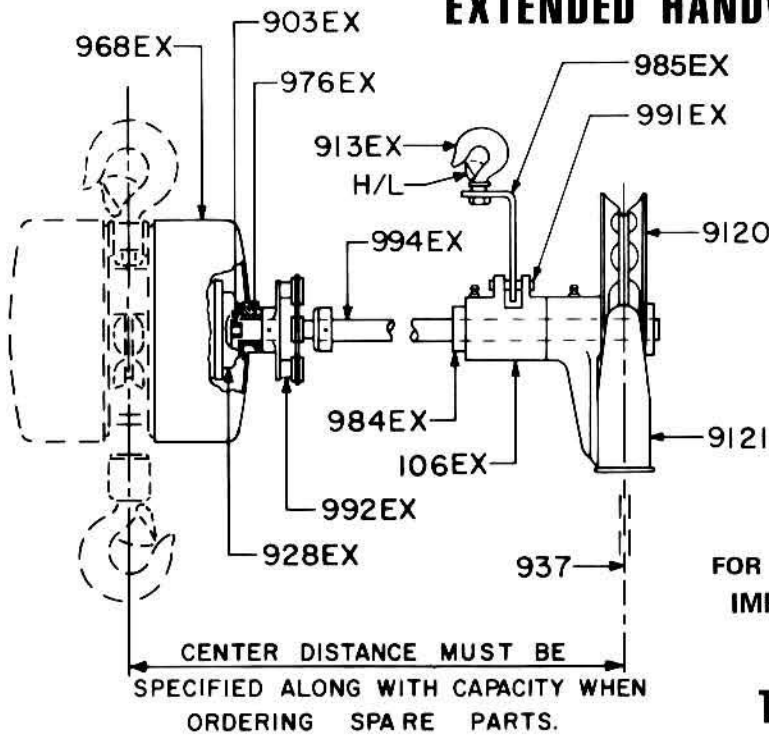
PART PRICES ON REQUEST - CONTACT FACTORY.

**CHAIN SPECIFICATIONS**



Use and Descriptions	Chain Size	C	W	R	Gauge Length	Net Weight
<b>HAND CHAIN</b>						
All Capacities .....	15/64"	.347	.878	1.056	19 links: 20.064'	.46 lbs., ft.
<b>LOAN CHAINS</b>						
1/4 - 1/2 ton .....	9/32"	.313	.876	.797	25 links: 19.925	.75 lbs., ft.
1 ton (Alloy) .....	9/32"	.313	.876	.797	25 links: 19.925	.75 lbs., ft.
1 1/2, 2, 3, 4, 5, 6, 8, 10 thru 25 ton	3/8"	.456	1.206	1.155	13 links: 15.015	1.23 lbs., ft.

## EXTENDED HANDWHEEL HOIST

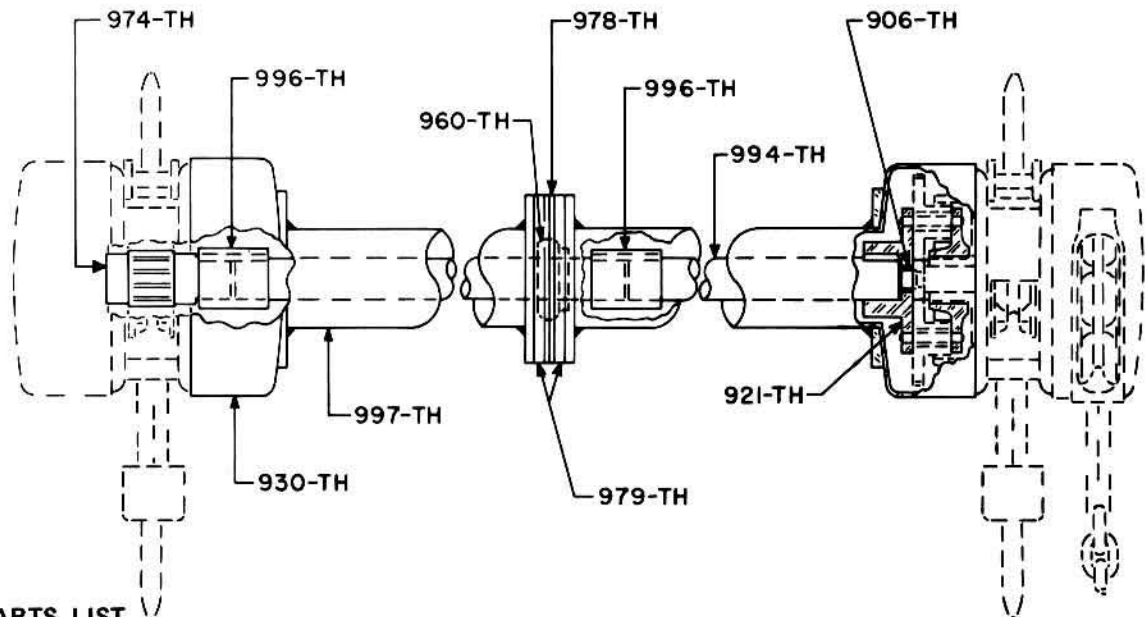


### EXTENDED HANDWHEEL PARTS LIST

PART NO.	DESCRIPTION
106EX	Extension Support Casting
903EX	Bronze Bushing in Handwheel Spider ( $\frac{1}{2}$ & 1 Ton Cap. - Only)
913 EX	Extension Hook with Nut
H/L	Hook Latch
928EX	Handwheel Spider with Bushing
937	Hand Chain
968 EX	Extended Handwheel Cover with Bushing
976EX	Bronze Bushing for Handwheel Cover
984EX	Locking Collar
991EX	Support Arm Bolt & Nut
992EX	Flexible Coupling Assembly
994EX	Drive Shaft
985EX	Extension Support Arm
9120	Handwheel with Set Screw & Key
9121	Handwheel Swinging Guard

FOR BALANCE OF HOIST PARTS SEE MAIN PARTS LIST.  
**IMPORTANT: SPECIFY HOIST SERIAL  
 NUMBER WHEN ORDERING PARTS**

## TWIN HOOK HOIST



### TWIN HOOK HOIST PARTS LIST

PART NO.	DESCRIPTION
906-TH	Bronze Bushing for 921-TH
921-TH	Pinion Cage with Key & 906-TH Bushing
930-TH	Flange Side Hoist Cover with 998 Cover Screws
974-TH	Dummy Load Shaft
994-TH	Drive Shaft
996-TH	Drive Shaft Coupling(s) with Key(s)
997-TH	Spacer Tube with Flanges & Fasteners
<b>PARTS FOR UNITS WITH CENTER BEARING</b>	
960-TH	Center Bearing with Locking Collar
978-TH	2 Pc. Center Bearing Pressed Steel Stamping
979-TH	Center Bearing Housing Spacer

**IMPORTANT:  
 SPECIFY HOIST SERIAL NUMBER  
 WHEN ORDERING PARTS**

**PART PRICES ON REQUEST - CONTACT FACTORY.**

FOR BALANCE OF HOIST PARTS SEE MAIN PARTS LIST.