

# Monorail Trolley

## NORMAL PROFILE

### 1/2 TON CAPACITY

#### PRODUCT INFORMATION

DWG. NO:

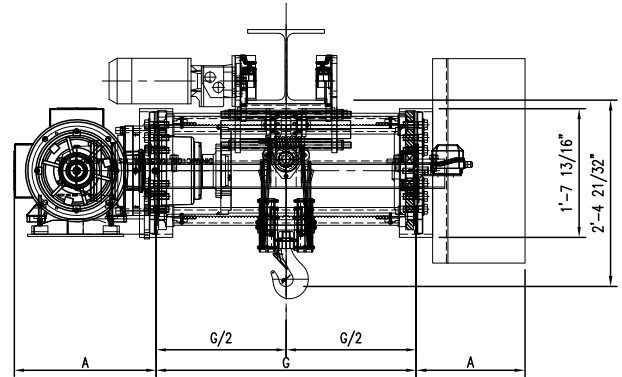
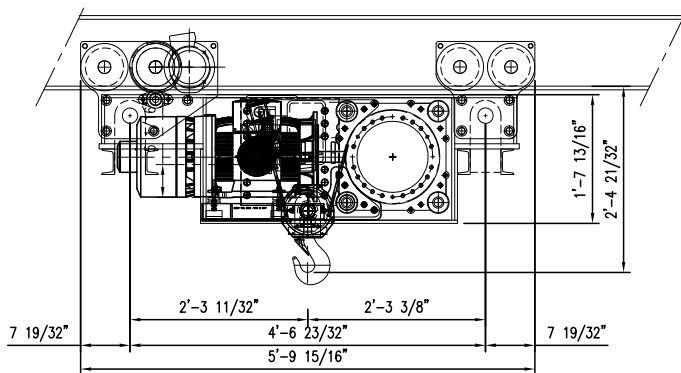
## NOR1/2s32

DATE: 11/27/2015

REVISION: 1

TYPE: 32

### 2 PART DOUBLE REEVING



WIRE ROPE 1/4" 6 x 36 IWRC EIP

ACECO RESERVES THE RIGHT TO MAKE CHANGES WITHOUT NOTICE.

#### HOIST TECHNICAL DATA

| CAPACITY     | 1/2 Tons (1,000 lbs.) | TROLLEY SPEED | MOTOR DATA        | Optional: Hoisting Speed, Trolley Speed, Lift, Power Supply, etc.; consult factory.<br>DRUM DIA. 14"<br>WHEEL DIA. 5,905" |
|--------------|-----------------------|---------------|-------------------|---|
| CLASS        | CMAA CLASS "D"        | 60 F.P.M.     | 1.5 HP / 1800 RPM |   |
| POWER SUPPLY | 460V-3PH-60HZ         | 70 F.P.M.     | 2 HP / 1800 RPM   |   |
|              |                       | 90 F.P.M.     | 3 HP / 1800 RPM   |   |

#### DIMENSIONAL INFORMATION

| G       | LIFT  | WEIGHT | HOIST | HOIST      | SPEED    | SPEED      | "A"         | WEIGHT |
|---------|-------|--------|-------|------------|----------|------------|-------------|--------|
| (GAGE)  | FEET  | LBS.   | SIZE  | MOTOR      | VARIABLE | SWIFT LIFT |             | LBS.   |
|         |       |        |       | HP/RPM     | FPM      | FPM        |             |        |
| 2' - 0" | 21.6  | 5,688  | 2     | 1 / 1200   | 10       | 18         | 1'-11 5/16" | 330    |
| 3' - 0" | 59.8  | 5,908  | 3     | 1 / 1800   | 10       | 25         | 1'-11 5/16" | 536    |
| 4' - 0" | 98    | 6,129  | 4     | 1.5 / 1200 | 17       | 34         | 1'-11 5/16" | 330    |
| 5' - 0" | 136.2 | 6,349  | 5     | 1.5 / 1800 | 17       | 24         | 1'-11 5/16" | 536    |
| 6' - 0" | 174.4 | 6,570  | 6     | 2 / 1200   | 22       | 44         | 1'-11 5/16" | 617    |
| 7' - 0" | 212.6 | 7,011  | 7     | 2 / 1800   | 22       | 34         | 1'-11 5/16" | 617    |
| 8' - 0" | 250.8 | 7,893  | 8     | 3 / 1200   | 33       | 66         | 1'-11 5/16" | 617    |
|         |       |        |       | 3 / 1800   | 33       | 50         | 1'-11 5/16" | 617    |