

Top Running Trolley

100 TON CAPACITY

PRODUCT INFORMATION

DWG. NO:

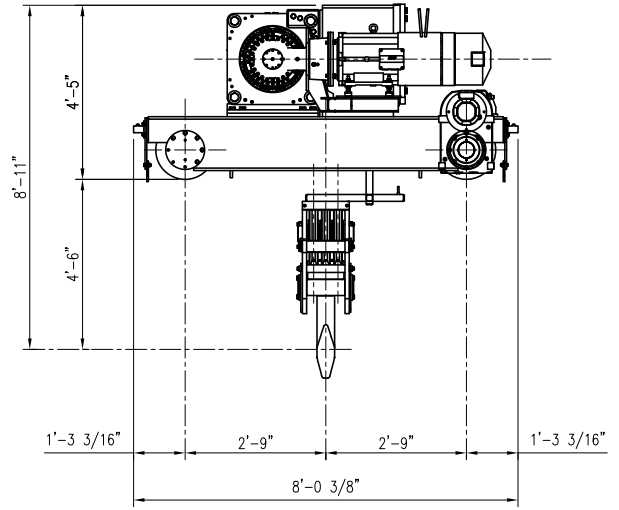
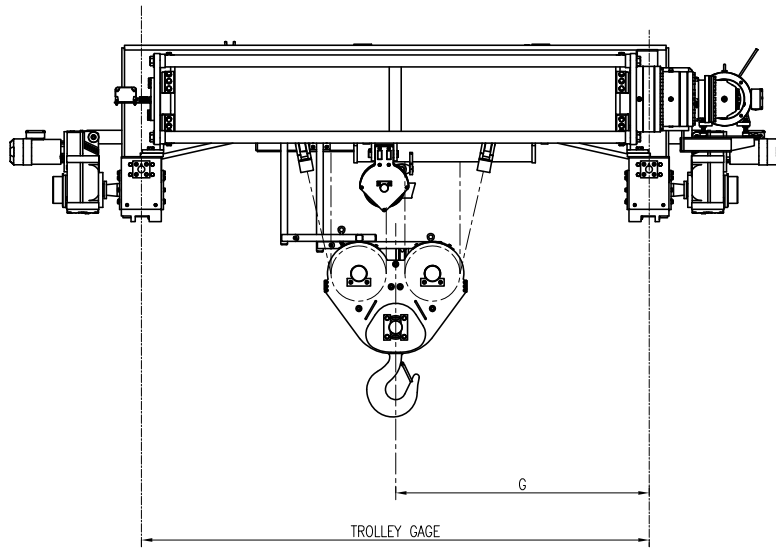
NOR100b18

DATE: 08/10/2016

REVISION: 1

TYPE: 18

4 PART DOUBLE REEVING



WIRE ROPE 23mm, DIEPA (SKC 8 P)

ACECO RESERVES THE RIGHT TO MAKE CHANGES WITHOUT NOTICE.

HOIST TECHNICAL DATA

| CMAA CLASS | "A" & "B" | TROLLEY SPEED | MOTOR DATA | Optional: Hoisting Speed, Trolley Speed, Lift, etc.; consult factory. DRUM DIA. 24" WHEEL DIA. 15 3/4" |
|--------------|---------------|---------------|-------------------|--|
| POWER SUPPLY | 460V-3PH-60HZ | 60 F.P.M. | 6 HP / 1800 RPM | |
| | | 70 F.P.M. | 7.5 HP / 1800 RPM | |
| | | 90 F.P.M. | 10 HP / 1800 RPM | |

DIMENSIONAL INFORMATION

| HOIST SIZE | TROLLEY GAGE | LIFT FEET | WEIGHT LBS. | MOTOR HP/RPM | SPEED FPM | SWIFT SPEED |
|------------|--------------|-----------|-------------|--------------|-----------|-------------|
| 7 | 8' - 0" | 48 | 21,000 | 50 / 1800 | 6.5 | 9 |
| 10 | 11' - 0" | 75 | 27,000 | | | |
| 12 | 13' - 0" | 88 | 30,000 | | | |