

# Top Running Trolley

## 10 TON CAPACITY

### PRODUCT INFORMATION

DWG. NO:

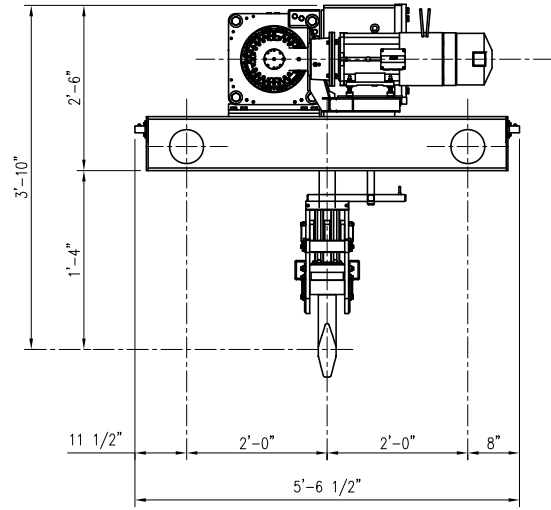
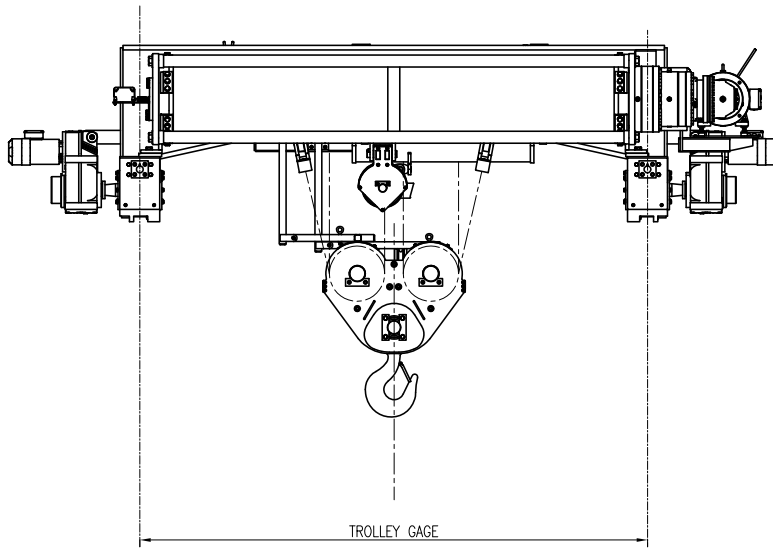
# NOR10s18

DATE: 08/09/2016

REVISION: 1

TYPE: 18

### 4 PART DOUBLE REEVING



WIRE ROPE  $\phi 3/8"$  6 x 36 IWRC EIP

ACECO RESERVES THE RIGHT TO MAKE CHANGES WITHOUT NOTICE.

### HOIST TECHNICAL DATA

CAPACITY	10 Tons (20,000 lbs.)	TROLLEY SPEED	MOTOR DATA	Optional: Hoisting Speed, Trolley Speed, Lift, Power Supply, etc.; consult factory. DRUM DIA. 14.37" WHEEL DIA. 6"
CLASS	CMAA CLASS "D"	60 F.P.M.	.75 HP / 1800 RPM	
POWER SUPPLY	460V-3PH-60HZ	70 F.P.M.	1 HP / 1800 RPM	
		90 F.P.M.	1 HP / 1800 RPM	

### DIMENSIONAL INFORMATION

HOIST	HEIGHT OF LIFT	ROPE TRAVEL	"G"	WEIGHT	HOIST	CLASS "D"	"A"
SIZE	FEET	INCHES	GAGE	LBS.	MOTOR	SWIFT LIFT	
					HP/RPM	FPM	
4	33	6	6'-0"	5,600	7.5 / 1200	10	20
5	46	12	7'-0"	5,900	7.5 / 1800	10	15
6	59	18	8'-0"	6,100	10 / 1200	12	24
7	72	24	9'-0"	6,300	10 / 1800	12	18
8	85	30	10'-0"	6,500	12.5 / 1200	16	32
					12.5 / 1800	16	24
					15 / 1200	21	42
					15 / 1800	21	31
					20 / 1200	27	54
					20 / 1800	27	40