

# Monorail Trolley

## NORMAL PROFILE

### 10 TON CAPACITY

#### PRODUCT INFORMATION

DWG. NO:

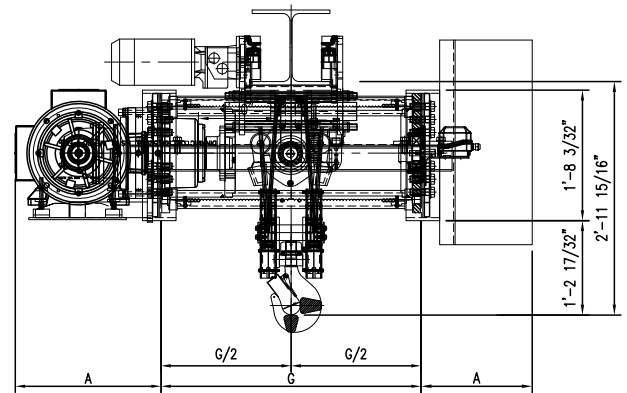
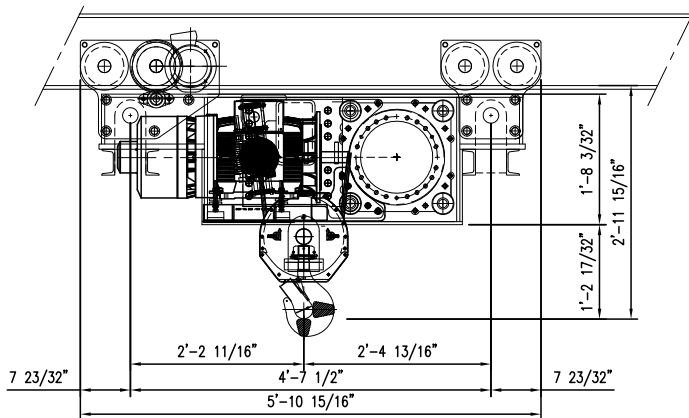
## NOR10s32

DATE: 10/27/2015

REVISION: 1

TYPE: 32

### 2 PART DOUBLE REEVING



WIRE ROPE 1/2" IWRC EIP

ACECO RESERVES THE RIGHT TO MAKE CHANGES WITHOUT NOTICE.

#### HOIST TECHNICAL DATA

CAPACITY	10 Tons (20,000 lbs.)	TROLLEY SPEED	MOTOR DATA	Optional: Hoisting Speed, Trolley Speed, Lift, Power Supply, etc.; consult factory. DRUM DIA. 14" WHEEL DIA. 5,905"
CLASS	CMAA CLASS "D"	60 F.P.M.	1.5 HP / 1800 RPM	
POWER SUPPLY	460V-3PH-60HZ	70 F.P.M.	2 HP / 1800 RPM	
		90 F.P.M.	3 HP / 1800 RPM	

#### DIMENSIONAL INFORMATION

G	LIFT	WEIGHT	HOIST	HOIST	SPEED	SPEED	"A"	WEIGHT
(GAGE)	FEET	LBS.	SIZE	MOTOR	VARIABLE	SWIFT LIFT		LBS.
				HP/RPM	FPM	FPM		
2' - 0"	21.6	5,688	2	1 / 1200	10	18	1'-11 5/16"	330
3' - 0"	59.8	5,908	3	1 / 1800	10	25	1'-11 5/16"	536
4' - 0"	98	6,129	4	1.5 / 1200	17	34	1'-11 5/16"	330
5' - 0"	136.2	6,349	5	1.5 / 1800	17	24	1'-11 5/16"	536
6' - 0"	174.4	6,570	6	2 / 1200	22	44	1'-11 5/16"	617
7' - 0"	212.6	7,011	7	2 / 1800	22	34	1'-11 5/16"	617
8' - 0"	250.8	67,893	8	3 / 1200	33	66	1'-11 5/16"	617
				3 / 1800	33	50	1'-11 5/16"	617