

Top Running Trolley

20 TON CAPACITY

PRODUCT INFORMATION

DWG. NO:

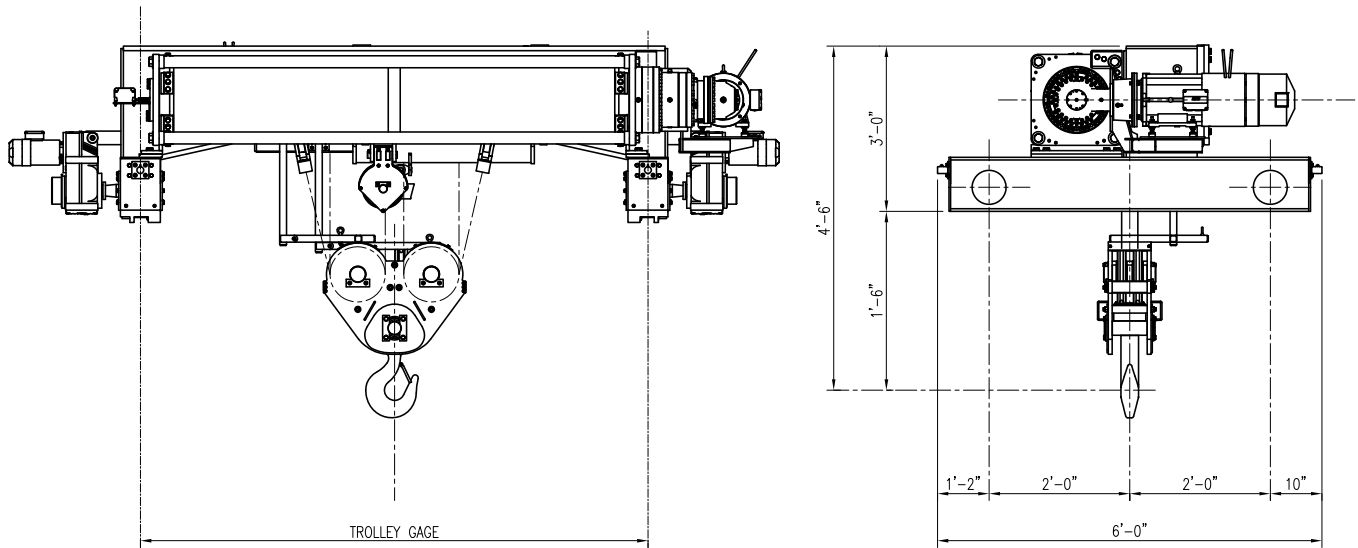
NOR20m18

DATE: 08/09/2016

REVISION: 1

TYPE: 18

4 PART DOUBLE REEVING



WIRE ROPE $\phi 1/2" 6 \times 36$ IWRC EEIP

ACECO RESERVES THE RIGHT TO MAKE CHANGES WITHOUT NOTICE.

HOIST TECHNICAL DATA

CAPACITY	20 Tons (40,000 lbs.)	TROLLEY SPEED	MOTOR DATA	Optional: Hoisting Speed, Trolley Speed, Lift, Power Supply, etc.; consult factory. DRUM DIA. 16" WHEEL DIA. 10"
CLASS	CMAA CLASS "D"	60 F.P.M.	1.5 HP / 1800 RPM	
POWER SUPPLY	460V-3PH-60HZ	70 F.P.M.	2 HP / 1800 RPM	
		90 F.P.M.	3 HP / 1800 RPM	

DIMENSIONAL INFORMATION

G	LIFT	WEIGHT	HOIST	HOIST	CLASS "D"	"A"	
(GAGE)	FEET	LBS.	SIZE	MOTOR	SWIFT LIFT		
				HP/RPM	FPM		
4' - 0"	28	5,688	4	20 / 1200	13	28	1'-11 5/16"
5' - 0"	39	5,908	5	20 / 1800	13	20	1'-11 5/16"
6' - 0"	49	6,129	6	30 / 1200	20	40	1'-11 5/16"
7' - 0"	60	6,349	7	30 / 1800	20	30	1'-11 5/16"
8' - 0"	71	6,570	8	40 / 1200	26	52	1'-11 5/16"
9' - 0"	81	7,011	9	40 / 1800	26	40	1'-11 5/16"
10' - 0"	92	7,893	10				