

# Top Running Trolley

## 20 TON CAPACITY

### PRODUCT INFORMATION

DWG. NO:

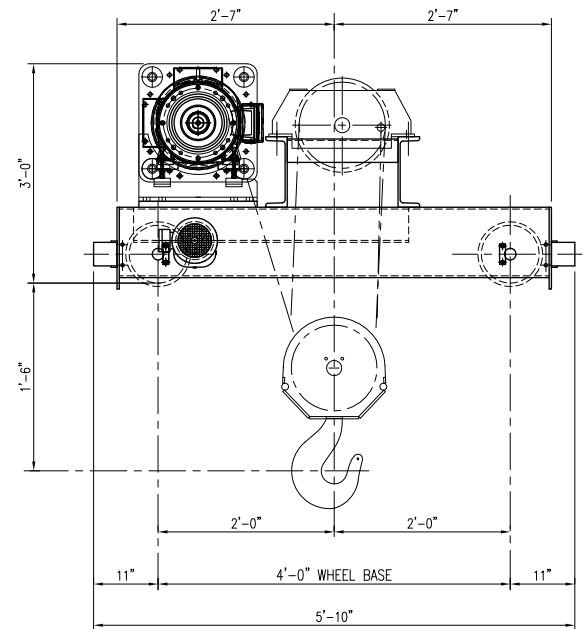
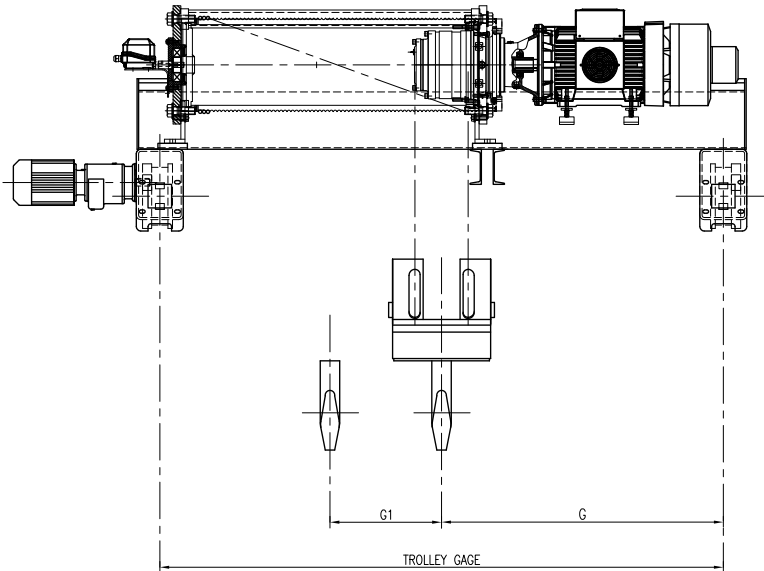
## NOR20m26

DATE: 07/27/2016

REVISION: 1

TYPE: 26

### 4 PART SINGLE REEVING



WIRE ROPE  $\frac{3}{4}$ " 6 x 36 IWRC EIP

ACECO RESERVES THE RIGHT TO MAKE CHANGES WITHOUT NOTICE.

### HOIST TECHNICAL DATA

CLASS	CMAA CLASS "D"	TROLLEY SPEED	MOTOR DATA	Optional: Hoisting Speed, Trolley Speed, Lift, etc.; consult factory. DRUM DIA. 16" WHEEL DIA. 10"
POWER SUPPLY	460V-3PH-60HZ	60 F.P.M.	X HP / 1800 RPM	
		70 F.P.M.	X HP / 1800 RPM	
		90 F.P.M.	X HP / 1800 RPM	

### DIMENSIONAL INFORMATION

HOIST SIZE	HEIGHT OF LIFT FEET	TROLLEY GAGE	G	G1	WEIGHT LBS.
2'	35	5' - 0"	17"	7"	6,000
3'	50	6' - 6"	26"	11"	6,500
4'	-	-	-	-	-
5'	64	7' - 6"	32"	14"	7,000
6'	75	8' - 0"	35"	16"	7,600
7'	91	10' - 6"	50"	19"	8,000

HOIST MOTOR	SPEED	SPEED
HP/RPM	VARIABLE	SWIFT LIFT
TEFC, S3 - 40% CLASS F INSULATION	FPM	FPM
25 / 1800	17	22