

# Top Running Trolley

## 25 TON CAPACITY

### PRODUCT INFORMATION

DWG. NO:

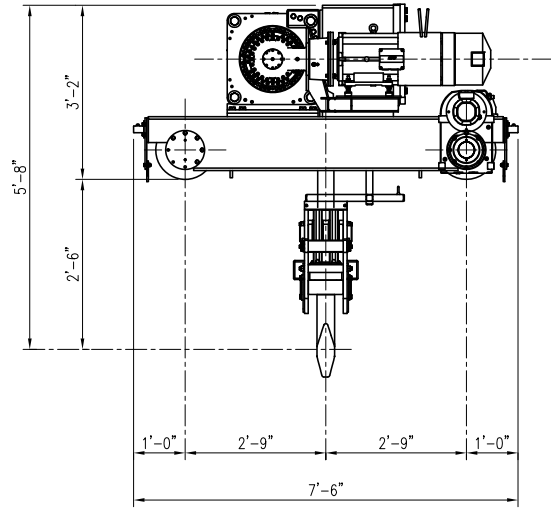
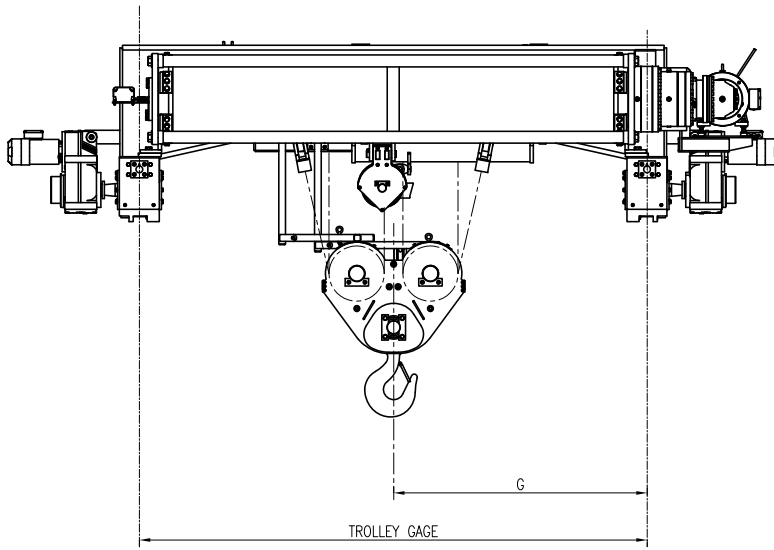
## NOR25b18

DATE: 08/09/2016

REVISION: 1

TYPE: 18

### 4 PART DOUBLE REEVING



WIRE ROPE  $\phi 9/16"$  6 x 36 IWRC EIP

ACECO RESERVES THE RIGHT TO MAKE CHANGES WITHOUT NOTICE.

### HOIST TECHNICAL DATA

CMAA CLASS	"D"	TROLLEY SPEED	MOTOR DATA	Optional: Hoisting Speed, Trolley Speed, Lift, etc.: consult factory. DRUM DIA. 24" WHEEL DIA. 10"
POWER SUPPLY	460V-3PH-60HZ	60 F.P.M.	1.5 HP / 1800 RPM	
		70 F.P.M.	2 HP / 1800 RPM	
		90 F.P.M.	3 HP / 1800 RPM	

### DIMENSIONAL INFORMATION

HOIST	TROLLEY	LIFT	WEIGHT	MOTOR	SPEED	SWIFT
SIZE	GAGE	FEET	LBS.	HP/RPM	FPM	SPEED
5	5' - 0"	44	7,000	20 / 1200	11	21
6	6' - 0"	72	9,000	20 / 1800	11	15
7	7' - 0"	86	11,000	30 / 1200	16	32
8	8' - 0"	100	13,000	30 / 1800	16	24
9	9' - 0"	114	15,000	40 / 1200	21	42
10	10' - 0"	128	17,000	40 / 1800	21	32
11	11' - 0"	142	19,000			