

# Top Running Trolley

## 25 TON CAPACITY

### PRODUCT INFORMATION

DWG. NO:

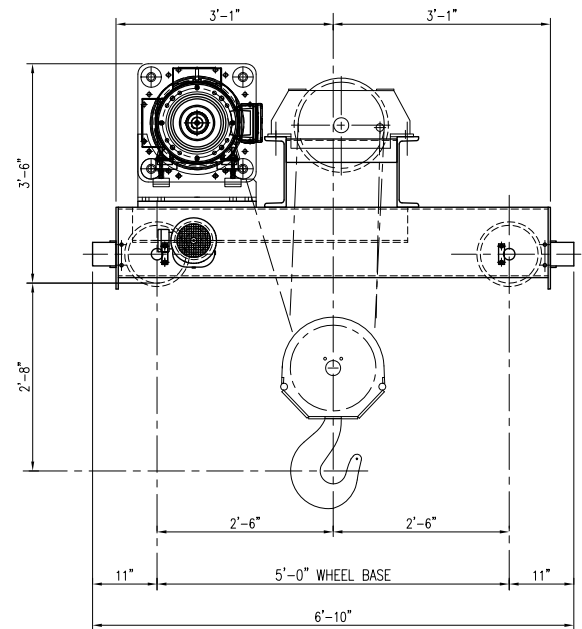
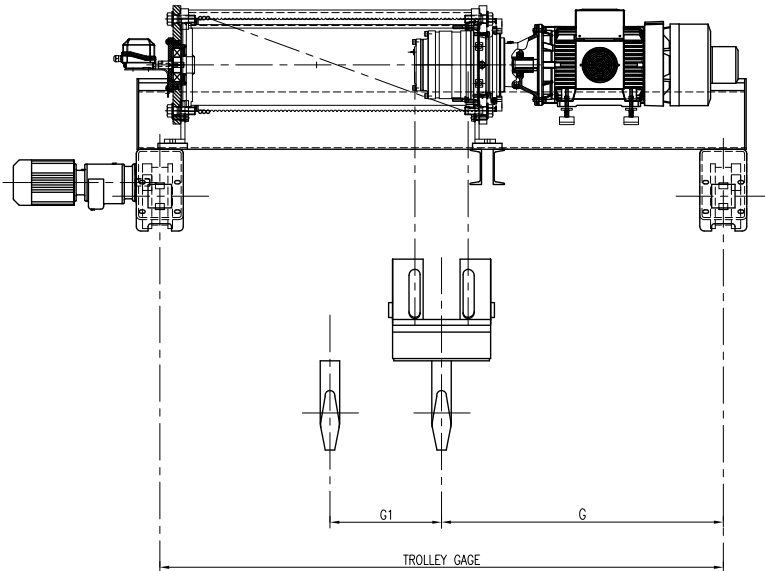
# NOR25b26

DATE: 07/27/2016

REVISION: 1

TYPE: 26

### 4 PART SINGLE REEVING



WIRE ROPE  $\frac{3}{4}$ " 6 x 36 IWRC

ACECO RESERVES THE RIGHT TO MAKE CHANGES WITHOUT NOTICE.

### HOIST TECHNICAL DATA

CLASS	CMAA CLASS "D"	TROLLEY SPEED	MOTOR DATA	Optional: Hoisting Speed, Trolley Speed, Lift, etc.; consult factory. DRUM DIA. 24" WHEEL DIA. 10"
POWER SUPPLY	460V-3PH-60HZ	60 F.P.M.	X HP / 1800 RPM	
		70 F.P.M.	X HP / 1800 RPM	
		90 F.P.M.	X HP / 1800 RPM	

### DIMENSIONAL INFORMATION

HOIST SIZE	HEIGHT OF LIFT FEET	TROLLEY GAGE	G	G1	WEIGHT LBS.
3'	112	8' - 0"	41"	14"	9,700
4'	134	11' - 0"	53"	17"	10,200

HOIST MOTOR HP/RPM	SPEED VARIABLE	SPEED SWIFT LIFT
TEFC, S3 - 40% CLASS F INSULATION	FPM	FPM
30 / 1800	19	24