

Top Running Trolley

25 TON CAPACITY

PRODUCT INFORMATION

DWG. NO:

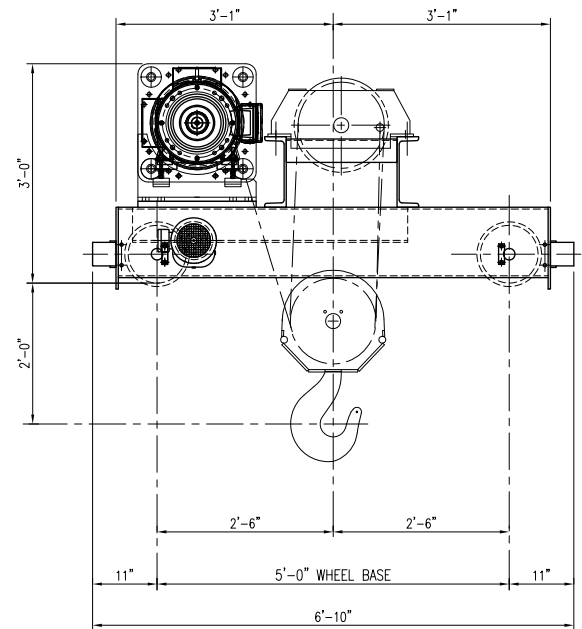
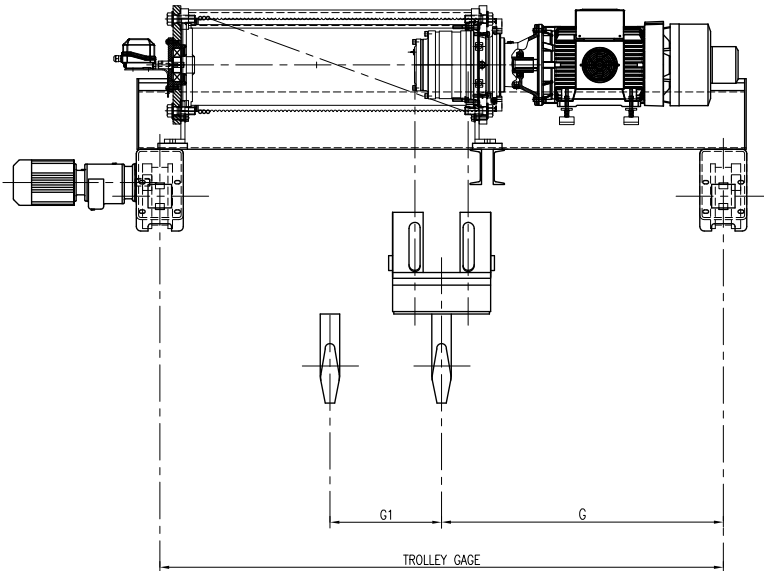
NOR25m26

DATE: 07/28/2016

REVISION: 1

TYPE: 26

4 PART SINGLE REEVING



WIRE ROPE $\frac{3}{4}$ " 6 x 36 IWRC EEIP

ACECO RESERVES THE RIGHT TO MAKE CHANGES WITHOUT NOTICE.

HOIST TECHNICAL DATA

CLASS	CMAA CLASS "D"	TROLLEY SPEED	MOTOR DATA	Optional: Hoisting Speed, Trolley Speed, Lift, etc.; consult factory. DRUM DIA. 16" WHEEL DIA. 12"
POWER SUPPLY	460V-3PH-60HZ	60 F.P.M.	X HP / 1800 RPM	
		70 F.P.M.	X HP / 1800 RPM	
		90 F.P.M.	X HP / 1800 RPM	

DIMENSIONAL INFORMATION

HOIST SIZE	HEIGHT OF LIFT FEET	TROLLEY GAGE	G	G1	WEIGHT LBS.
2'	35	5' - 0"	26"	7"	6,200
3'	50	6' - 6"	34"	11"	6,700
4'	-	-	-	-	-
5'	64	7' - 6"	38"	14"	7,200
6'	75	8' - 0"	40"	16"	7,800
7'	91	10' - 6"	53"	19"	8,500

HOIST MOTOR	SPEED	SPEED
HP/RPM	VARIABLE	SWIFT LIFT
TEFC, S3 - 40% CLASS F INSULATION	FPM	FPM
30 / 1800	17	22