

# Top Running Trolley

## 30 TON CAPACITY

### PRODUCT INFORMATION

DWG. NO:

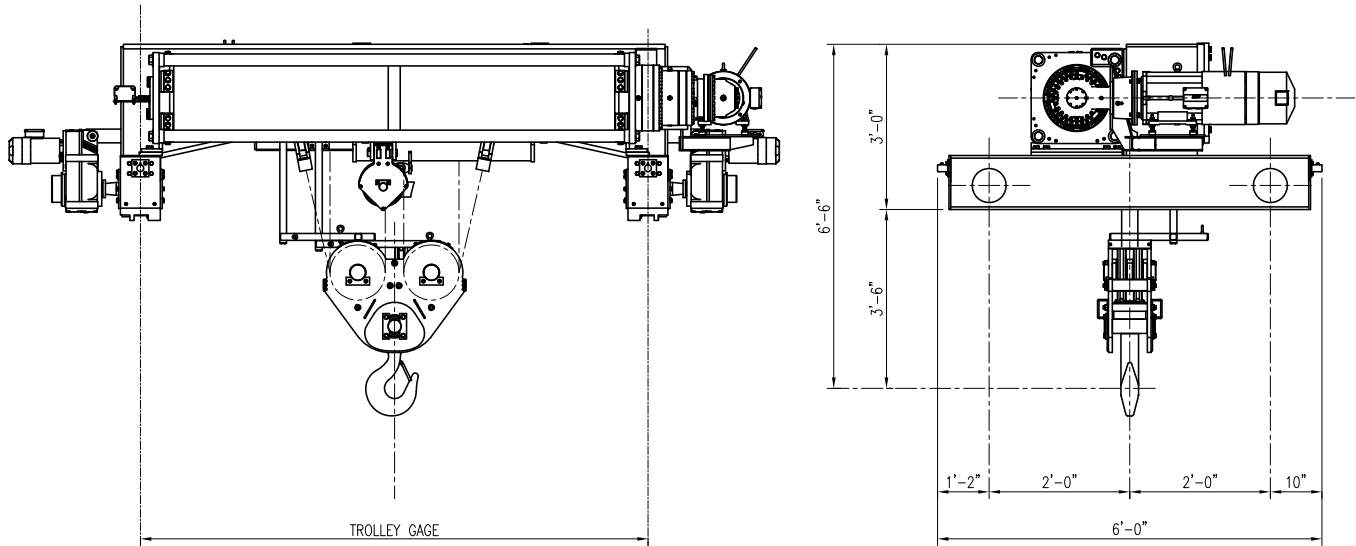
## NOR30m18

DATE: 08/09/2016

REVISION: 1

TYPE: 18

### 4 PART DOUBLE REEVING



WIRE ROPE  $\phi \frac{5}{8}$ " 6 x 36 IWRC EIP

ACECO RESERVES THE RIGHT TO MAKE CHANGES WITHOUT NOTICE.

### HOIST TECHNICAL DATA

CAPACITY	30 Tons (60,000 lbs.)	TROLLEY SPEED	MOTOR DATA	Optional: Hoisting Speed, Trolley Speed, Lift, Power Supply, etc.; consult factory. DRUM DIA. 16" WHEEL DIA. 10"
CLASS	CMAA CLASS "D"	60 F.P.M.	2 HP / 1800 RPM	
POWER SUPPLY	460V-3PH-60HZ	70 F.P.M.	3 HP / 1800 RPM	
		90 F.P.M.	3 HP / 1800 RPM	

### DIMENSIONAL INFORMATION

G (GAGE)	LIFT FEET	WEIGHT LBS.	HOIST SIZE	HOIST MOTOR HP/RPM	SPEED FPM	CLASS "D" SWIFT LIFT FPM	"A"
4' - 0"	15	9,714	4	20 / 1200	9	18	1'-11 5/16"
5' - 0"	29	10,914	5	20 / 1800	9	13	1'-11 5/16"
6' - 0"	38	10,114	6	30 / 1200	13	26	1'-11 5/16"
7' - 0"	47	10,314	7	30 / 1800	13	20	1'-11 5/16"
8' - 0"	56	10,514	8	40 / 1200	18	36	1'-11 5/16"
9' - 0"	65	10,714	9	40 / 1800	18	27	1'-11 5/16"
10' - 0"	73	10,914	10	50 / 1200	22	44	1'-11 5/16"
				50 / 1800	22	33	1'-11 5/16"