

# Top Running Trolley

## 30 TON CAPACITY

### PRODUCT INFORMATION

DWG. NO:

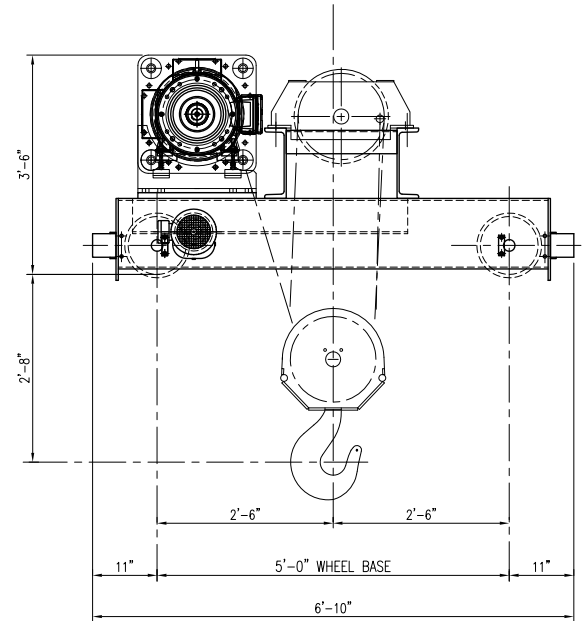
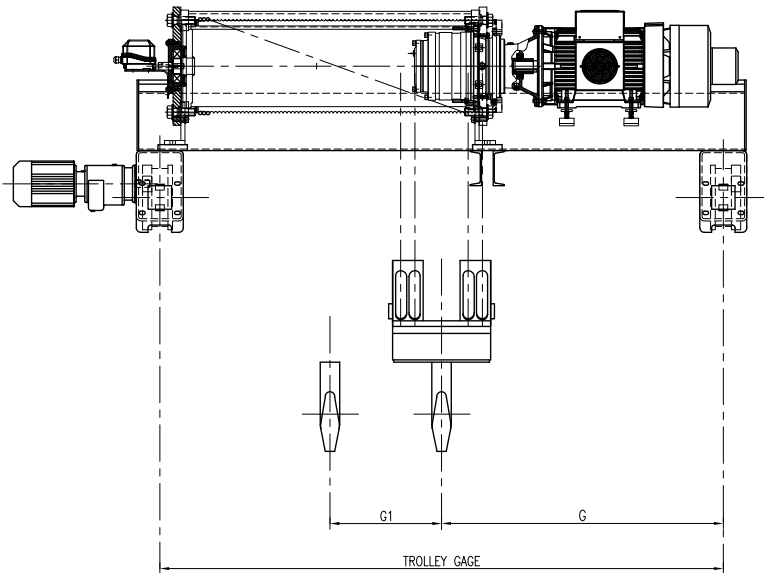
# NOR30m26

DATE: 06/24/2016

REVISION: 1

TYPE: 26

### 8 PART SINGLE REEVING



WIRE ROPE 5/8" 6 x 36 IWRC EEIP

ACECO RESERVES THE RIGHT TO MAKE CHANGES WITHOUT NOTICE.

### HOIST TECHNICAL DATA

CLASS	CMAA CLASS "D"	TROLLEY SPEED	MOTOR DATA	Optional: Hoisting Speed, Trolley Speed, Lift, etc.; consult factory. DRUM DIA. 16" WHEEL DIA. 12"
POWER SUPPLY	460V-3PH-60HZ	60 F.P.M.	2 HP / 1800 RPM	
		70 F.P.M.	3 HP / 1800 RPM	
		90 F.P.M.	3 HP / 1800 RPM	

### DIMENSIONAL INFORMATION

HOIST SIZE	HEIGHT OF LIFT FEET	TROLLEY GAGE	G	G1	WEIGHT LBS.
3'	23	6' - 0"	2' - 10"	3"	9,000
4'	30	7' - 0"	3' - 4"	4"	9,300
5'	37	8' - 0"	3' - 9"	5"	9,500
6'	45	10' - 0"	4' - 9"	6"	10,000
7'	54	11' - 0"	5' - 3"	7"	11,000

HOIST MOTOR HP/RPM	SPEED VARIABLE	SPEED SWIFT LIFT
TEFC, S3 - 40% CLASS F INSULATION	FPM	FPM
20 / 1800	8.5	11