

Top Running Trolley

5 TON CAPACITY

PRODUCT INFORMATION

DWG. NO:

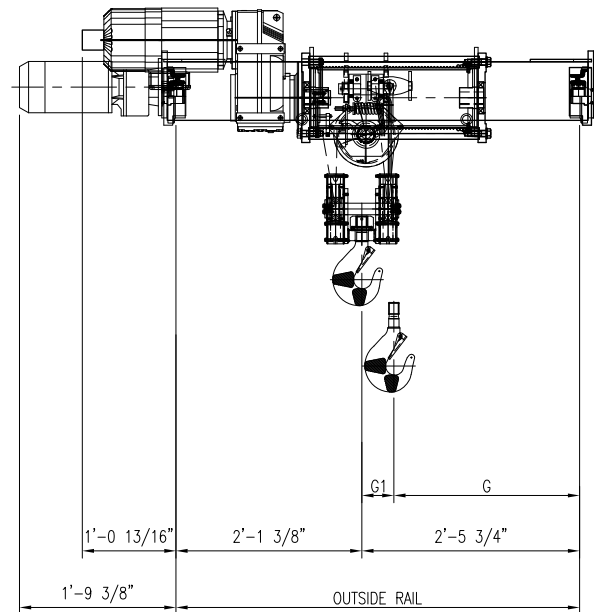
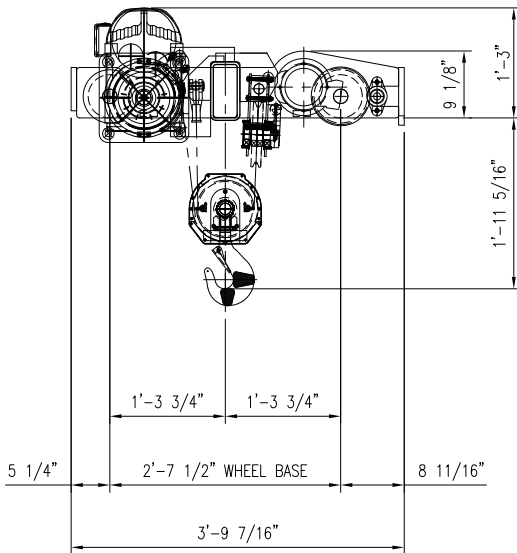
NOR411-1426

DATE: 08/10/2016

REVISION: 1

TYPE: 23

4 PART SINGLE REEVING



WIRE ROPE 3/8" 6 x 36 IWRC EEP

ACECO RESERVES THE RIGHT TO MAKE CHANGES WITHOUT NOTICE.

HOIST TECHNICAL DATA

CLASS	CMAA CLASS "D"	TROLLEY SPEED	MOTOR DATA	Optional: Hoisting Speed, Trolley Speed, Lift, Power Supply, etc.; consult factory. DRUM DIA. 7.638" WHEEL DIA. 6"
POWER SUPPLY	460V-3PH-60HZ	60 F.P.M.	.5 HP / 1800 RPM	
		70 F.P.M.		
		90 F.P.M.		

DIMENSIONAL INFORMATION

HOIST	HEIGHT OF LIFT	OUTSIDE	G	G1	WEIGHT	HOIST	HOIST MOTOR	SPEED	SPEED	
TYPE	FEET	GAGE			LBS.	SIZE	HP/RPM	VARIABLE	SWIFT LIFT	
NOR411-1426	23	4' - 7"	2' - 1"	4	1,500	1	TEFC, S3 - 40% CLASS F INSULATION	FPM	FPM	
NOR411-2426	33	4' - 7"	2' - 1"	6	1,600	2		5 / 1800	16	24
NOR411-3426	41	5' - 0"	2' - 1"	7	1,700	3				