

Top Running Trolley

LOW PROFILE

50 TON CAPACITY

PRODUCT INFORMATION

DWG. NO:

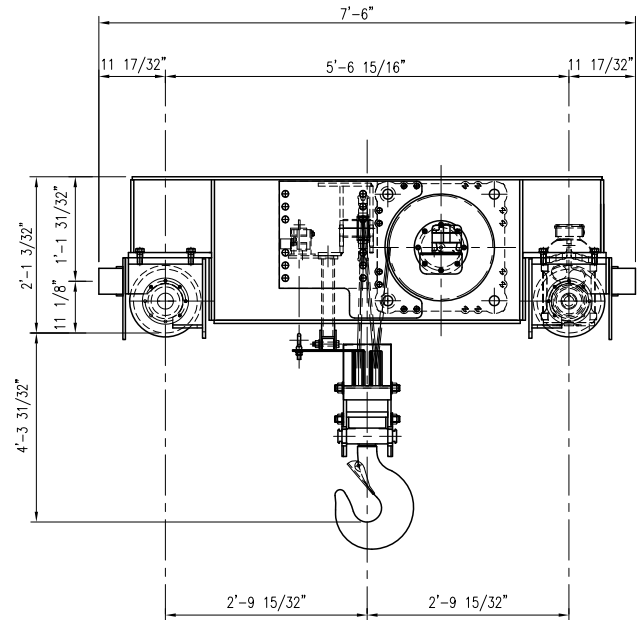
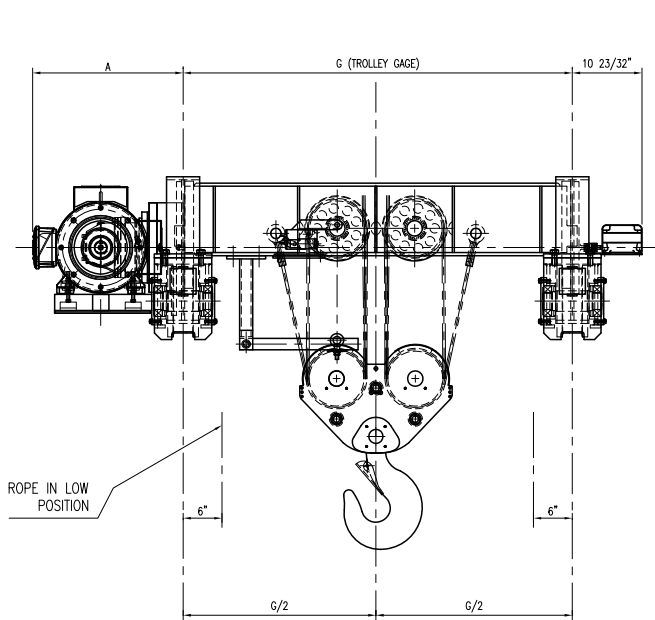
NOR50m16

DATE: 08/09/2016

REVISION: 1

TYPE: 16

4 PART DOUBLE REEVING



WIRE ROPE ϕ 3/4" 6 x 36 IWRC EEIP

ACECO RESERVES THE RIGHT TO MAKE CHANGES WITHOUT NOTICE.

HOIST TECHNICAL DATA

CAPACITY	50 Tons (100,000 lbs.)	TROLLEY SPEED	MOTOR DATA	Optional: Hoisting Speed, Trolley Speed, Lift, Power Supply, etc.; consult factory. DRUM DIA. 16" WHEEL DIA. 10"
CLASS	CMAA CLASS "D"	60 F.P.M.	1.5 HP / 1800 RPM	
POWER SUPPLY	460V-3PH-60HZ	70 F.P.M.	2 HP / 1800 RPM	
		90 F.P.M.	3 HP / 1800 RPM	

DIMENSIONAL INFORMATION

G	LIFT	WEIGHT	HOIST
(GAGE)	FEET	LBS.	SIZE
4' - 0"	17	9,714	4
5' - 0"	25	9,914	5
6' - 0"	33	10,114	6
7' - 0"	40	10,314	7
8' - 0"	48	10,514	8
9' - 0"	55	10,714	9
10' - 0"	63	10,914	10

HOIST MOTOR	SPEED	CLASS "D" SWIFT LIFT	"A"
HP/RPM	FPM	FPM	
30 / 1200	8	16	1'-11 5/16"
30 / 1800	8	12	1'-11 5/16"
40 / 1200	11	22	1'-11 5/16"
40 / 1800	11	16	1'-11 5/16"
50 / 1200	13	26	1'-11 5/16"
50 / 1800	13	20	1'-11 5/16"