

# Top Running Trolley

## 7.5 TON CAPACITY

### PRODUCT INFORMATION

DWG. NO:

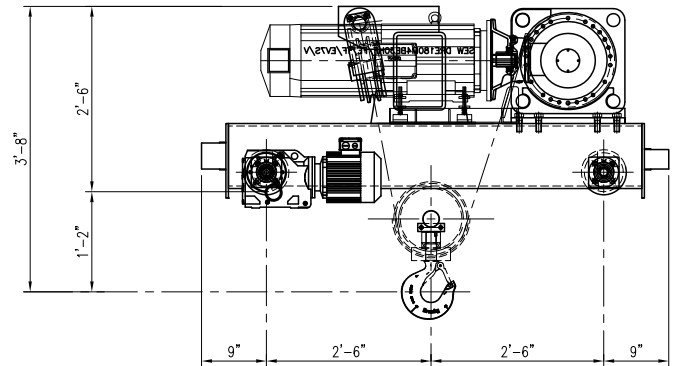
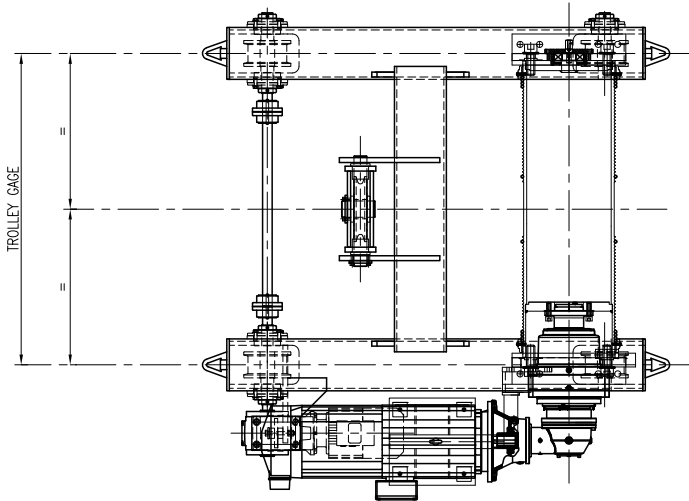
## NOR7.5s19

DATE: 08/10/2016

REVISION: 1

TYPE: 19

### 2 PART DOUBLE REEVING



WIRE ROPE  $\frac{7}{16}$ " 6 x 36 IWRC EIP

ACECO RESERVES THE RIGHT TO MAKE CHANGES WITHOUT NOTICE.

### HOIST TECHNICAL DATA

CAPACITY	7.5 Tons	TROLLEY SPEED	MOTOR DATA	Optional: Hoisting Speed, Trolley Speed, Lift, etc.; consult factory. DRUM DIA. 14.37" WHEEL DIA. 6"
HOIST MODEL	NOR5s74	50 F.P.M.	.75 HP / 1800 RPM	
CMAA CLASS	"D"	75 F.P.M.	1 HP / 1800 RPM	
POWER SUPPLY	460V-3PH-60HZ	100 F.P.M.	1 HP / 1800 RPM	

### DIMENSIONAL INFORMATION

TROLLEY GAGE	LIFT FEET	WEIGHT LBS.	HOIST SIZE	MOTOR HP/RPM	SPEED FPM	SPEED SWIFT
4' - 0"	41	3,100	4	5 / 1200	9	19
5' - 0"	64	3,300	5	5 / 1800	9	13
6' - 0"	86	3,600	6	7.5 / 1200	14	28
7' - 0"	109	4,000	7	7.5 / 1800	14	21
				10 / 1200	18	36
				10 / 1800	18	47
				12.5 / 1200	23	46
				12.5 / 1800	23	34