

Top Running Trolley

70 TON CAPACITY

PRODUCT INFORMATION

DWG. NO:

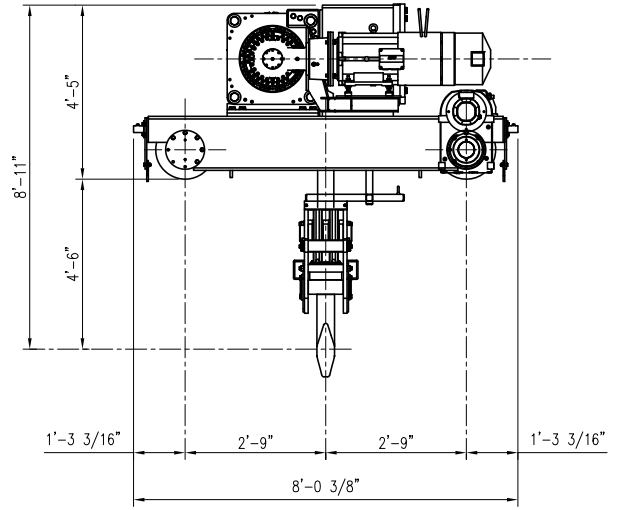
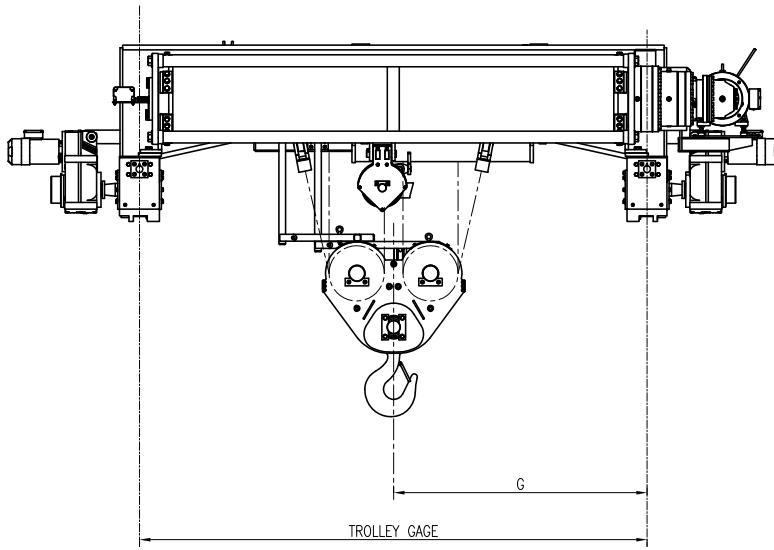
NOR70b18

DATE: 08/10/2016

REVISION: 1

TYPE: 18

4 PART DOUBLE REEVING



WIRE ROPE 1" DIA. 6 x 36 IWRC EIP

ACECO RESERVES THE RIGHT TO MAKE CHANGES WITHOUT NOTICE.

HOIST TECHNICAL DATA

CMAA CLASS	"A & B"	TROLLEY SPEED	MOTOR DATA	Optional: Hoisting Speed, Trolley Speed, Lift, etc.; consult factory. DRUM DIA. 24" WHEEL DIA. 15 3/4"
POWER SUPPLY	460V-3PH-60HZ	60 F.P.M.	5 HP / 1800 RPM	
		70 F.P.M.	7.5 HP / 1800 RPM	
		90 F.P.M.	7.5 HP / 1800 RPM	

DIMENSIONAL INFORMATION

HOIST SIZE	TROLLEY GAGE	LIFT FEET	WEIGHT LBS.	MOTOR HP/RPM	SPEED FPM	SWIFT SPEED
5	6' - 0"	26	18,000	30 / 1200	6	12
6	7' - 0"	35	19,000	30 / 1800	6	9
7	8' - 0"	43	20,000	40 / 1200	7	14
8	9' - 0"	50	21,000	40 / 1800	7	10
9	10' - 0"	59	22,000	50 / 1200	9	18
10	11' - 0"	68	23,000	50 / 1800	9	13
11	12' - 0"	76	24,000	60 / 1200	12	24
12	13' - 0"	81	25,000	60 / 1800	12	18
				75 / 1200	14	28
				75 / 1800	14	21