

Top Running Trolley

10 TON CAPACITY

PRODUCT INFORMATION

DWG. NO:

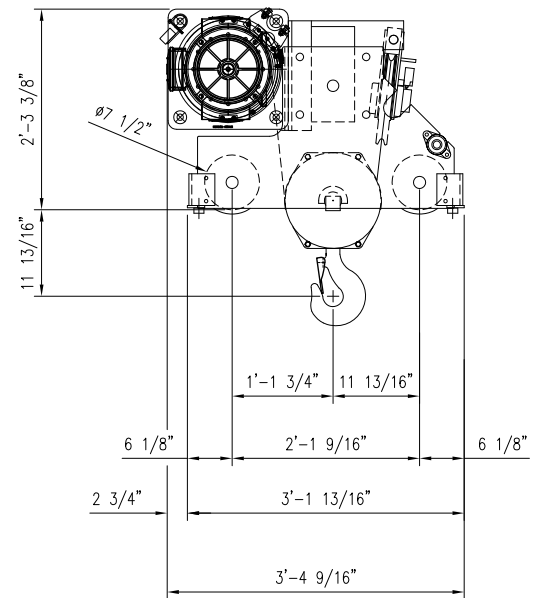
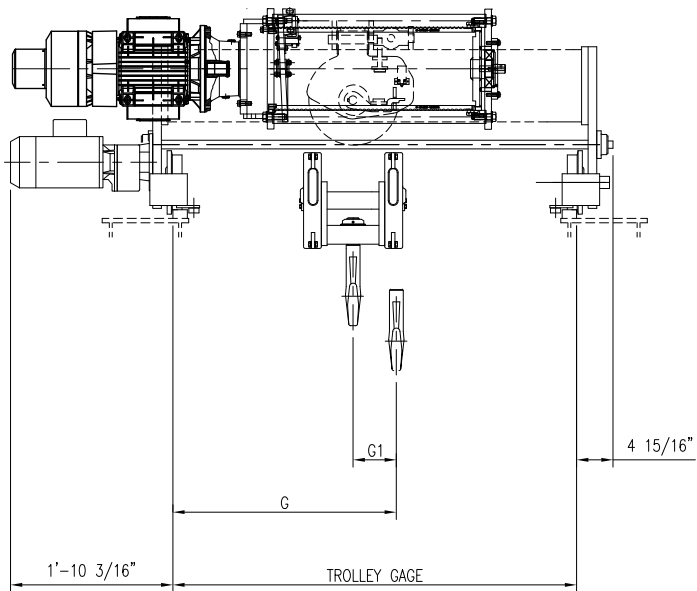
NOR732-1426

DATE: 08/10/2016

REVISION: 1

TYPE: 23

4 PART SINGLE REEVING



WIRE ROPE 1/2" 6 x 36 IWRC EIP

ACECO RESERVES THE RIGHT TO MAKE CHANGES WITHOUT NOTICE.

HOIST TECHNICAL DATA

CLASS	CMAA CLASS "D"	TROLLEY SPEED	MOTOR DATA	Optional: Hoisting Speed, Trolley Speed, Lift, etc.; consult factory. DRUM DIA. 11.196" WHEEL DIA. 7.5"
POWER SUPPLY	460V-3PH-60HZ	60 F.P.M.	X HP / 1800 RPM	
		70 F.P.M.	X HP / 1800 RPM	
		80 F.P.M.	X HP / 1800 RPM	

DIMENSIONAL INFORMATION

HOIST TYPE	HEIGHT OF LIFT FEET	TROLLEY GAGE	G	G1	WEIGHT LBS.	HOIST SIZE
NOR732-1426	30	55.11"				1
NOR732-2426	41	55.11"				2
NOR732-3426	57	82.68"				3
NOR7041-4426	77	82.68"				4