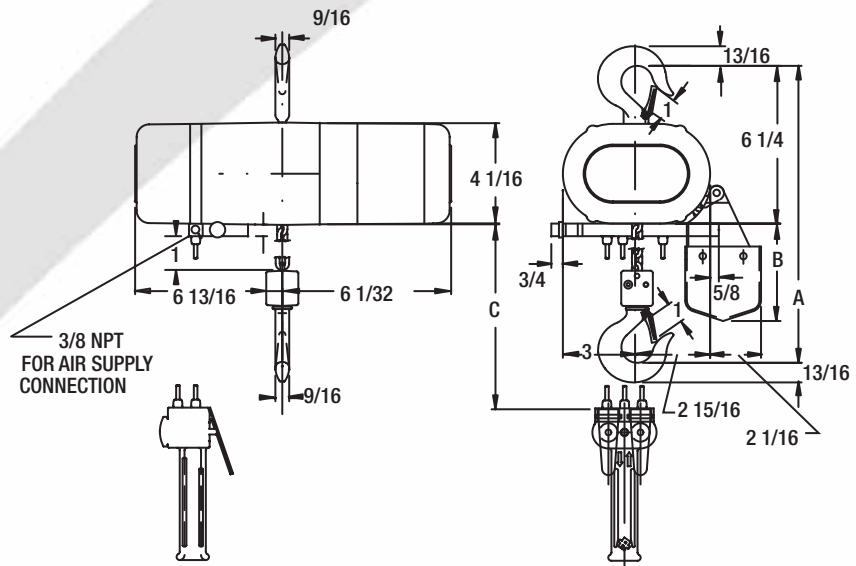




- 10-pocket oblique-lay liftwheel provides longer chain life
- Epoxy powder coat finish is smooth and tough
- Double reduction gearing
- Variable flow, two-lever pendant for precise load spotting
- Threaded external exhaust for piping away exhaust in clean room or painting operations
- Rugged cast aluminum alloy hoist frame. Small, compact design for commercial and industrial applications
- Industrial-duty air motor for tough requirements
- Gear train is lifetime-lubricated with non-oxidizing grease
- Hardened, forged steel, latch-style lower hook rotates 360°. Upper hook provided with a positive load engagement.
- Chain bucket optional



## Specifications & Dimensions

Capacity	Lift Speed	Parts of Chain	Hoist Catalog Number	Headroom	A	B	*C	Shipping Weight
lbs.	FPM			in	in	in	in	lbs.
250	0-31	1	931889	10-7/8	10-7/8	3-7/8	6'4"	30
300	0-31	1	931890	10-7/8	10-7/8	3-7/8	6'4"	30
500	0-21	1	931892	10-7/8	10-7/8	3-7/8	6'4"	30
500	0-16	2	931894	11-15/16	11-15/16	5-3/4	6'4"	34
600	0-16	2	931895	11-15/16	11-15/16	5-3/4	6'4"	34
1000	0-11	2	931897	11-15/16	11-15/16	5-3/4	6'4"	34

\* Pendant drop is for 10' lift. Other lifts available.