

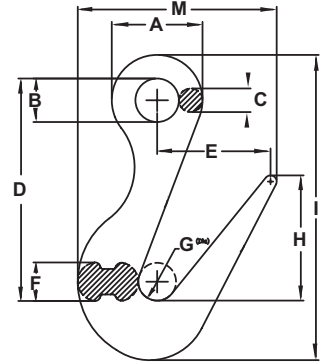
HERC-ALLOY® Sorting Hooks

800

Sorting Hook



- Quench and tempered alloy steel
- Long tapered point designed for easy grab in rings, pear links, eyebolts or lifting holes
- Durable orange powder coated finish
- 5:1 design factor



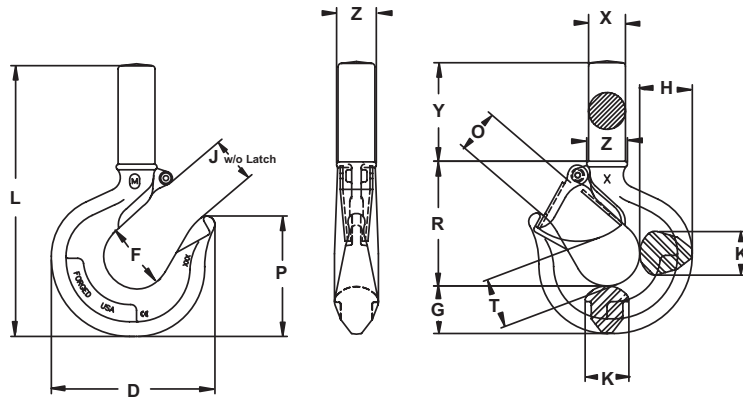
Product Code	Product Code (With Handle)	WLL at Tip	WLL at bottom of hook	Dimensions										Weight
				A	B	C	D	E	F	G	H	I	M	
		Ton	Ton	in.	in.	in.	in.	in.	in.	in.	in.	in.	in.	lb.
M129	M129H	2	7.5	3	1.44	0.78	7.34	3.75	1.28	1.25	4.13	10.09	7.38	6.8

Shank Hooks



- Heat treated alloy steel provides a strength without bulk or weight
- Pre drilled boss allows for latch
- Shank hooks are supplied unthreaded. Insufficient thread engagement can result in loss of load. The following should be observed:

1. Shanks are not intended for internal threading or swaging
2. To obtain maximum strength threads should be class 1 or 2
3. Thread engagement in nut or object must be a minimum of 1-1/2 times the thread diameter



Hook No.	Working Load Limit	Product Code	Max Shank Diameter	Latch Hole	Latch Kit Code	Dimensions												
						D	F	G	H	J	K	L	O	P	R	X	Y	Z
2	1	M1302A	0.593	0.144	4X1302	3.10	1.25	0.87	1.01	0.93	0.63	5.28	0.93	2.13	2.35	0.59	2.06	0.69
3	1 1/2	M1303A	0.723	0.179	4X1303	3.37	1.38	0.94	1.11	0.97	0.71	5.78	0.97	2.29	2.59	0.66	2.25	0.78
4	2	M1304A	0.783	0.179	4X1304	3.74	1.50	1.06	1.21	1.06	0.88	6.29	1.06	2.57	2.75	0.72	2.50	1.00
5	3	M1305A	0.973	0.179	4X1305	4.23	1.63	1.27	1.43	1.19	0.94	7.26	1.16	2.84	3.16	0.91	2.90	1.00
7	5	M1307A	1.223	0.203	4X1307	5.16	2.00	1.44	1.63	1.50	1.38	8.63	1.41	3.52	3.85	1.16	3.34	1.25
9	7	M1309A	1.473	0.203	4X1309	6.26	2.50	1.82	2.01	1.78	1.68	10.43	1.69	4.61	4.77	1.41	3.84	1.56