

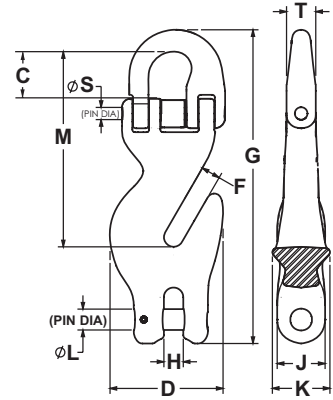
HERC-ALLOY® Chain Shortener & Rigging Hook

1000

Chain Shortener



- Quickly and easily adjust chain length of sling when the load has uneven pick points
- Durable gray powder coated finish
- Marked with both fraction and metric sizes
- Forged alloy steel - quenched & tempered
- Mechanically attaches directly to master ring

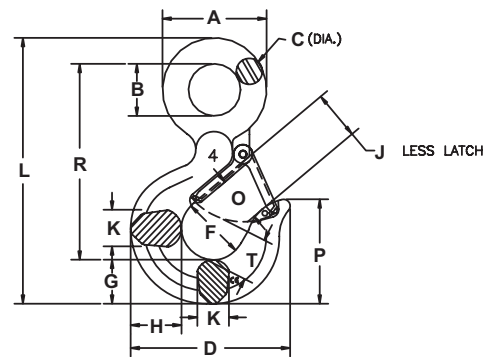


| Size | Working Load Limit | Product Code | Dimensions | | | | | | | | | | | Weight |
|------|--------------------|--------------|------------|------|-------|------|------|------|------|------|------|------|------|--------|
| | | | C | D | G | H | J | K | L | F | M | S | T | |
| 9/32 | 4,300 | M71805A-2 | 0.71 | 2.19 | 5.86 | 0.38 | 0.80 | 1.00 | 0.36 | 0.38 | 3.38 | 0.21 | 0.50 | 1.20 |
| 3/8 | 8,800 | M71806A-2 | 1.16 | 2.74 | 7.61 | 0.47 | 1.16 | 1.40 | 0.51 | 0.47 | 4.74 | 0.31 | 0.71 | 2.50 |
| 1/2 | 15,000 | M71808A-2 | 1.43 | 3.34 | 9.36 | 0.65 | 1.37 | 2.08 | 0.63 | 0.65 | 5.82 | 0.41 | 0.86 | 4.80 |
| 5/8 | 22,600 | M71810A-2 | 1.74 | 4.19 | 11.56 | 0.79 | 1.53 | 2.47 | 0.75 | 0.79 | 7.04 | 0.48 | 1.06 | 8.20 |

Rigging Hook



- Large eye to easily accommodate other G100 fittings
- Quench & tempered alloy steel
- Durable gray powder coated finish



| Size | Working Load Limit | Product Code w/ latch | Product Code w/o latch | Dimensions | | | | | | | | | | | | | Weight | |
|------|--------------------|-----------------------|------------------------|------------|------|------|------|------|------|------|------|------|-------|------|------|------|--------|------|
| | | | | A | B | C | D | F | G | H | J | K | L | O | P | R | | T |
| 7/32 | 2,700 | M7502A | M7402A | 1.50 | 0.75 | 0.38 | 3.06 | 1.25 | 0.87 | 1.05 | 0.93 | 0.63 | 4.37 | 0.93 | 2.12 | 3.13 | 0.87 | 0.66 |
| 9/32 | 4,300 | M7503A | M7403A | 1.75 | 0.88 | 0.44 | 3.33 | 1.38 | 0.94 | 1.11 | 0.97 | 0.71 | 5.04 | 0.97 | 2.27 | 3.66 | 0.97 | 1.12 |
| 5/16 | 5,700 | M7504A | M7404A | 2.13 | 1.13 | 0.50 | 3.67 | 1.50 | 1.06 | 1.21 | 1.06 | 0.88 | 5.63 | 1.06 | 2.54 | 4.09 | 1.03 | 1.46 |
| 3/8 | 8,800 | M7505A | M7405A | 2.50 | 1.25 | 0.63 | 4.20 | 1.63 | 1.27 | 1.43 | 1.19 | 0.94 | 6.55 | 1.16 | 2.80 | 4.67 | 1.16 | 2.42 |
| 1/2 | 15,000 | M7507A | M7407A | 3.06 | 1.56 | 0.75 | 5.11 | 2.00 | 1.44 | 1.63 | 1.50 | 1.31 | 7.97 | 1.41 | 3.47 | 5.78 | 1.53 | 4.10 |
| 5/8 | 22,600 | M7509A | M7409A | 3.88 | 2.00 | 0.94 | 6.24 | 2.50 | 1.82 | 2.01 | 1.78 | 1.68 | 10.07 | 1.69 | 4.59 | 7.31 | 1.94 | 8.16 |