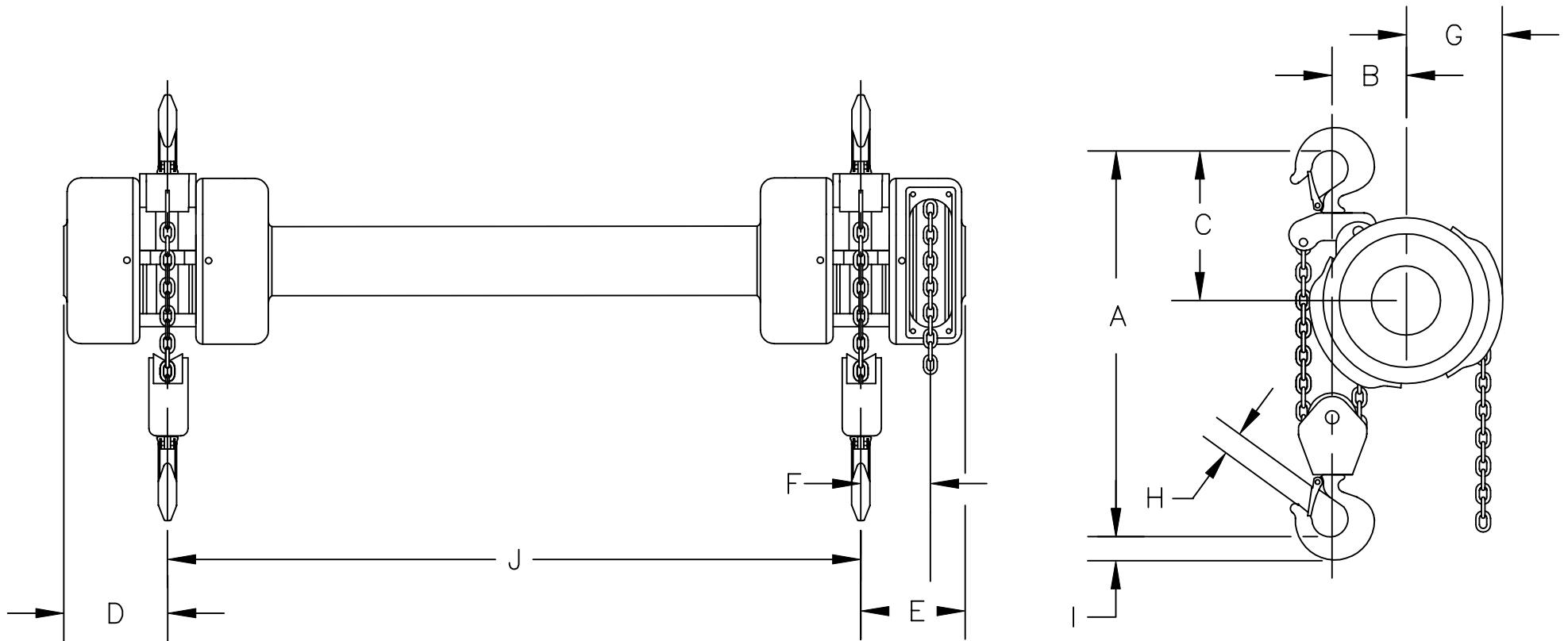


FOR MORE INFO CONTACT: American Crane & Equipment Corp. - Authorized Distributor  
 Tel: 877-503-2972 Fax: 484-945-0430 Email: sales@americancrane.com Website: www.americancrane.com



A	23 1/2"	B	4 7/8"	C	9 1/8"	D	5"	E	5"
F	3 1/4"	G	5 3/4" *	H	1 11/32" *	I	1 7/16"	J	36" STD.

\* DIM. FOR TOP & BOTTOM HOOK

MK.	REVISIONS	CK-DATE

3 & 4 TON  
 TWIN HOOK HOIST  
**CHESTER HOIST**  
 LISBON, OHIO

DR. RLB	TR.	CK.	AP.
SCALE NONE		DATE 6-19-00	
REF. DWG. NO. ZSGTH3			
Dwg. No. CD035			