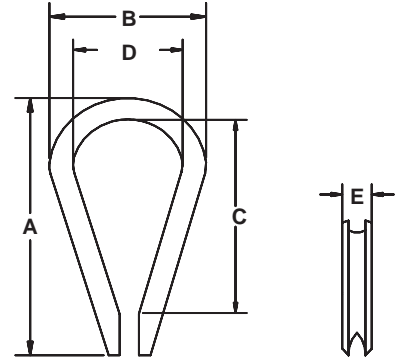


Wire Rope Attachments

Thimbles



Rope Diameter	Product Code	Standard Pack	Dimensions					Weight
			A	B	C	D	E	
Imperial								
in.			in.	in.	in.	in.	in.	lb.
Malleable Wire Rope Thimbles (Zinc Plated)								
1/8	86095	100	1.94	1.06	1.31	0.69	0.25	0.035
3/16	86195	100	1.94	1.06	1.31	0.69	0.31	0.035
1/4	86295	100	1.94	1.06	1.31	0.69	0.38	0.035
5/16	86395	100	2.13	1.25	1.5	0.81	0.44	0.040
3/8	86495	50	2.38	1.47	1.63	0.94	0.53	0.070
1/2	86695	50	2.75	1.75	1.88	1.13	0.69	0.125
5/8	86895	25	3.50	2.38	2.25	1.38	0.91	0.345
Heavy Duty Wire Rope Thimbles (Hot Galvanized)								
1/4	87296	25	2.19	1.50	1.63	0.88	0.41	0.075
5/16	87396	25	2.50	1.81	1.88	1.06	0.5	0.140
3/8	87496	25	2.88	2.13	2.13	1.13	0.66	0.250
1/2	87696	25	3.63	2.56	2.75	1.50	0.84	0.510
5/8	87896	10	4.25	3.00	3.25	1.75	1.00	0.750
3/4	87906	10	5.00	3.50	3.75	2.00	1.25	1.470
7/8	87916	10	5.50	4.00	4.25	2.25	1.38	1.850