

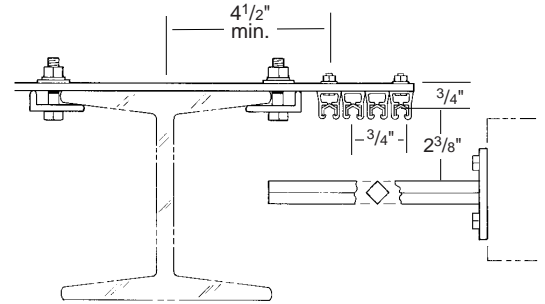
# Medium-duty V-bar system

Each system includes all components needed to satisfy given length and amperage draw for your specific application.

For systems requiring higher amperage, greater number of conductors and/or longer run, contact CM.

- Crimped splices
- 3/4 inch spacing between conductors
- 15 foot sections
- Conductor bar lengths can be field cut to length with hand saw
- Standard CM conductor bar kits (for straight runs only)
- Custom-engineered systems available
- Mounting staffs on new applications are required
- Made in U.S.A.

For more information contact:  
 American Crane & Equipment Corp.  
 Authorized Distributor  
 Tel: 877-503-2972  
 Fax: 484-945-0430  
 sales@americancrane.com  
 www.americancrane.com



### 3 Conductor, 40 amp (maximum) system selection chart

Product code	System length (ft.)	Conductor bar 28101	Power feed 28066	End cover 28105	Collector 30 amp 31589	Anchor clamp 29864	Support bracket 29944
C1000	15	3	3	6	3	3	5
C1001	30	6	3	6	3	3	10
C1002	45	9	3	6	3	3	15
C1003	60	12	3	6	3	3	20
C1004	75	15	3	6	3	3	25
C1005	90	18	3	6	3	3	30
C1006	105	21	3	6	3	3	35
C1007	120	24	3	6	3	3	40
C1008	135	27	3	6	3	3	45
C1009	150	30	3	6	3	3	50

### 4 Conductor, 40 amp (maximum) system selection chart

Product code	System length (ft.)	Conductor bar 28101	Power feed 28066	End cover 28105	Collector 30 amp 31589	Anchor clamp 29864	Support bracket 29944
C1010	15	4	4	8	4	4	5
C1011	30	8	4	8	4	4	10
C1012	45	12	4	8	4	4	15
C1013	60	16	4	8	4	4	20
C1014	75	20	4	8	4	4	25
C1015	90	24	4	8	4	4	30
C1016	105	28	4	8	4	4	35
C1017	120	32	4	8	4	4	40
C1018	135	36	4	8	4	4	45
C1019	150	40	4	8	4	4	50

For monorail systems, only one V-bar kit is needed

One V-bar kit is needed for each bridge

For multiple hoists, additional collectors are required (P/N 31589)

Connector tool included with each kit

**\* ⚠ WARNING**

**Improper handling and installation of electrical components can result in injury.**

**To avoid injury:**

- Turn off power before installing components. Follow lockout/tagout procedure. Refer to ANSI Z244.1.
- Observe requirements of National Electrical Code ANSI/NFPA 70 and applicable state and local codes.