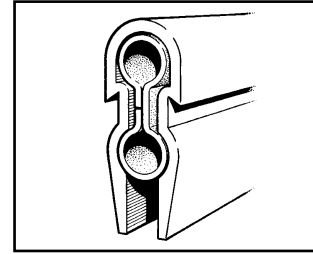
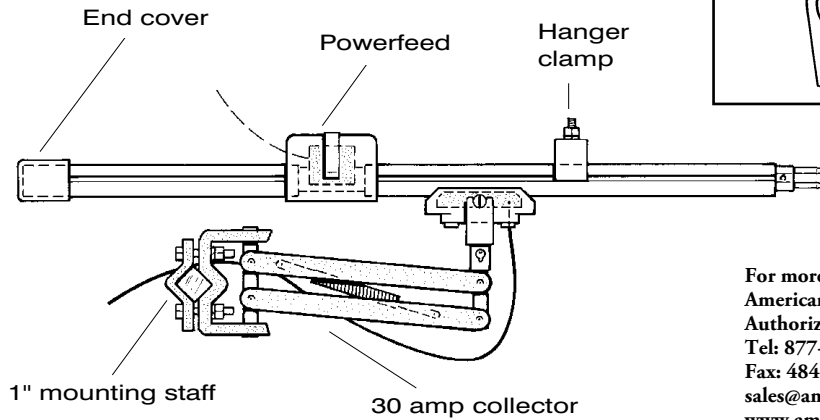


# Heavy-duty 8-bar



For more information contact:  
 American Crane & Equipment Corp.  
 Authorized Distributor  
 Tel: 877-503-2972  
 Fax: 484-945-0430  
 sales@americancrane.com  
 www.americancrane.com

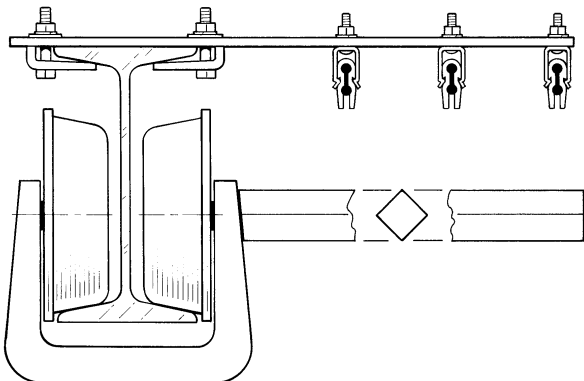
## 110 amp galvanized standard, higher amperages available

- Maximum vertical stroke of collector: 3 1/2 inches
- Up to 4 conductors per system. Contact CM for special requirements
- For temperature deviation ( $\Delta T$ ) change greater than 110°F, expansion joints and special cover may be needed. Contact CM.

### Features

- Pin type connector features rigid, durable construction
- Modular design assists with quick, simple installation
- Low maintenance; sliding collector type system helps to eliminate debris in collector path
- Flexible; can be mounted for lateral mount. Curves must be factory bent
- Minimum horizontal curve radius: 18 inches
- Three covers available: 160°F PVC (standard), 250°F medium heat and 400°F high heat
- UL listed and CSA certified
- Made in U.S.A.

### Adjustable support bracket



Fits S4 to S12 beam sizes. Contact CM for special requirements.

### Optional mounting staff can be bolted or welded

Product code 31402

