

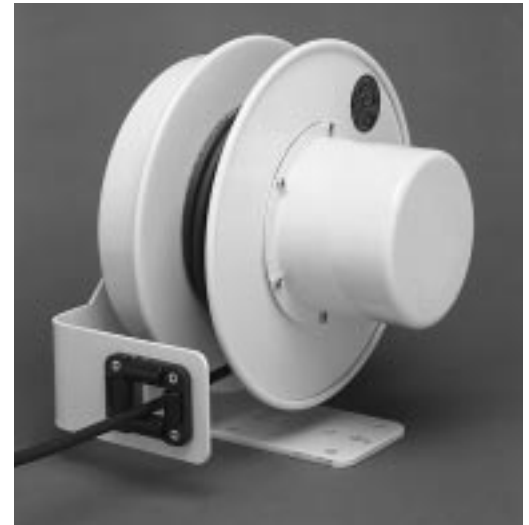
Heavy-duty cable reels

Features

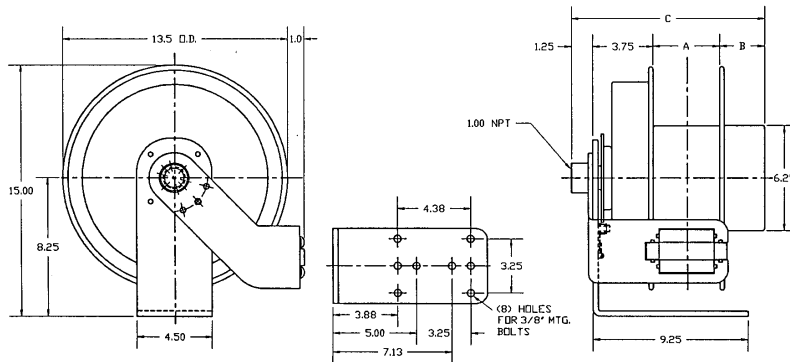
- UL/C-UL listed
- 14 gauge all steel construction
- Weatherproof (NEMA 4) slip ring enclosure
- 35 amp/600 volt advanced slip ring assembly
- 1 ring is dedicated to ground
- SOW/SO cable factory installed
- Heavy 3/8" formed stand
- Durable powder coated finish
- Other reels available for longer payout and higher amperage
- Made in U.S.A.

Factory installed features

- SOW/SO cable: oil and weather resistant
- Guide arm: 4 roller guide
- Ratchet: positive hold to lock at desired position or simply release for constant tension applications



Dimensional information



Cable reel selection chart

Product code	Length	AWG/#	Amp rating	Dim. code
3582	30'	16/3	10	A
3583	50'	16/3	10	A
3584	30'	16/4	8	A
3585	50'	16/4	8	A
3586	30'	14/3	15	A
3587	50'	14/3	15	A
3589	30'	14/4	12	A
3590	50'	14/4	12	A
3591	30'	12/3	20	A
3592	50'	12/3	20	A
3593	30'	12/4	16	A
3594	50'	12/4	16	B
3595	30'	10/3	25	A
3596	50'	10/3	25	B
3597	30'	10/4	20	A
3598	50'	10/4	20	B

Reel style

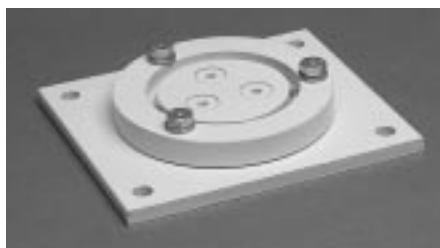
Slip ring # of con.	"B" dim.	*A "C" dim.	wt.#	"B" dim.	**B "C" dim.	wt.#
3-4	5.0	13.0	52	3.5	13.0	52

*A=3" drum width

**B=4.5" drum width

Optional 345° and 360° bases

345° pivot bases: all steel base with lifetime lubricated bearing. Swing can be restricted to 90°, 180°, or 270°. Product code 3599



4.75" x 5.75" center mounting holes

360° swivel bases: lifetime lubricated bearing. Slip ring included in base to allow full 360° rotation. Product code 3579



For more information contact:
 American Crane & Equipment Corp.
 Authorized Distributor
 Tel: 877-503-2972
 Fax: 484-945-0430
 sales@americancrane.com
 www.americancrane.com