

Stamped Steel — Ideal for Construction

LHH Hand Chain Hoist

COFFING LHH Models - Stamped steel hand chain hoists are an excellent low cost option in the Coffing line. The compact, light-weight design is ideal for construction and contractor applications where portability and easy rigging are critical.

- **CAPACITIES & LIFT** - Rated loads from 1/2 to 20 Tons in stock with standard lifts of 10, 15, and 20 feet. Standard hand chain drop is 2-feet less than lift. Other lifts and hand chain drops, and 25 - 50 Ton models available — consult factory.
- **COMPACT AND LIGHTWEIGHT** - Designed for portability and easy installation. Compact gear housing provides low headroom.
- **EASY TO OPERATE** - Lubricated bearings and bushings, bearing-mounted pinions, and heat-treated spur gearing ensure smooth and efficient operation with minimal effort.
- **SAFETY & LOAD CONTROL** - Mechanical load brake engages instantly for precise load holding and positioning. 360° swivel hooks with safety latches for positive load engagement.
- **DURABLE** - Through hardened load chain provides added strength and wear resistance for greater chain life. Stamped steel housing withstands rugged conditions.
- **EASY TO MAINTAIN** - Designed for easy inspection and maintenance. Hoist can be dismantled easily with simple hand tools.
- **LIFETIME WARRANTY**



1/2 - 50 Ton

SPECIFICATIONS

LHH Hand Chain Hoists

Capacity		Model Number	Lifts (Ft.) **	Strands of Load Chain	Minimum Headroom (In.)	Average Overhaul for 1 Ft. Lift (Ft.)	Net Pull to Lift Rated Load (Lbs.)	Weight for 10 Ft. Lift (Lbs.)
Lbs.	Tons							
1000	1/2	LHH-1/2	10/15/20	1	10 ¹ / ₄	32	55	19
2000	1	LHH-1	10/15/20	1	11 ¹³ / ₁₆	56	53	25
3000	1 1/2	LHH-1 1/2	10/15/20	1	13 ⁹ / ₁₆	75	65	36
4000	2	LHH-2	10/15/20	1	15	75	74	45
6000	3	LHH-3	10/15/20	1	17 ¹ / ₈	95	84	66
10000	5	LHH-5	10/15/20	3	22 ⁵ / ₈	203	79	75
16000	8	LHH-8	10/20	3	32 ¹ / ₂	312.5	77	158
20000	10	LHH-10	10/20	3	32 ¹ / ₂	312.5	95	158
24000	12	LHH-12	10/20	5	50 ⁵ / ₈	526	84	328
30000	15	LHH-15	10/20	5	50 ⁵ / ₈	526	103	328
40000	20	LHH-20	10	6	52 ³ / ₈	312.5 x 2 †	99 x 2 †	535
50000	25*	LHH-25	10	8	52 ⁷ / ₈	416.7 x 2 †	97 x 2 †	680
60000	30*	LHH-30	10	10	65	526.3 x 2 †	104 x 2 †	945
80000	40*	LHH-40	10	14	73 ⁵ / ₁₆	714.3 x 2 †	101 x 2 †	1400
100000	50*	LHH-50	10	20	77 ⁵ / ₈	1000 x 2 †	104 x 2 †	1840

* 25, 30, 40, and 50 Ton models available by special order — consult factory.

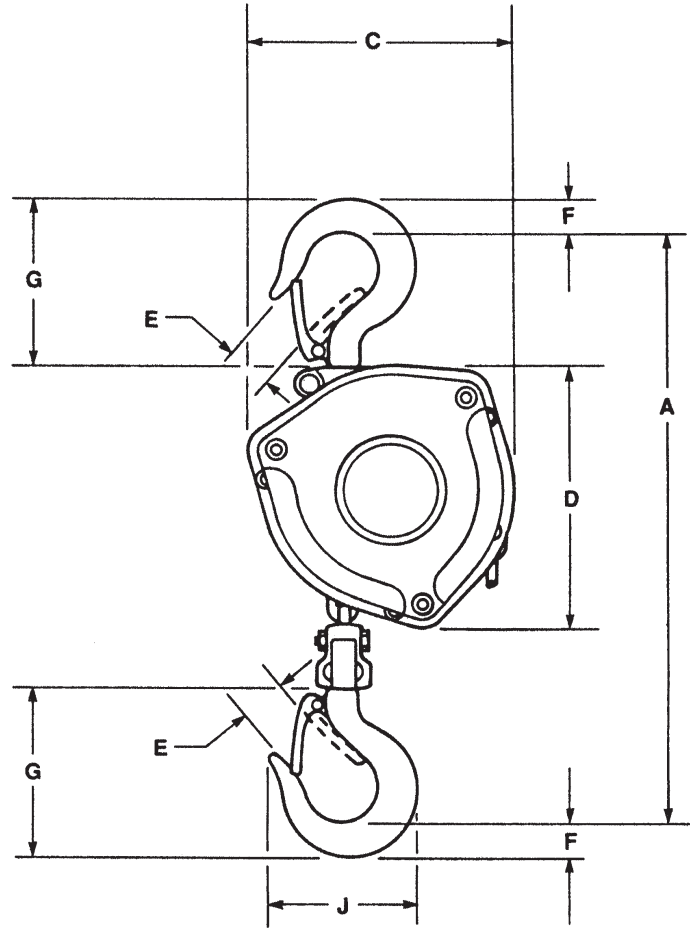
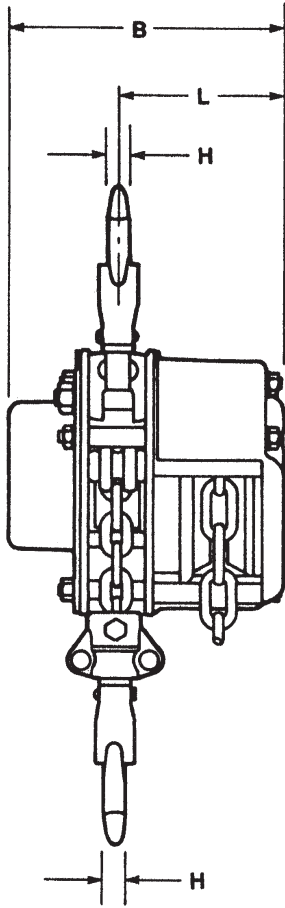
** Standard lifts shown. Other lifts available — consult factory.

† LHH-20 through LHH-50 models have two hand chains.

NOTE: For complete dimensional data, refer to Coffing Dimensional Databook.

For more information contact:
American Crane & Equipment Corp.
 Authorized Distributor
 Tel: 877-503-2972
 Fax: 484-945-0430
 sales@americancrane.com
 www.americancrane.com

LHH 1/2 to 50 Ton



Dimensions

Model Number	Rated Load (Ton)	A	B	C	D	E	F	G	H	J	K	No. of Load Chains
LHH-1/2B	1/2	10 ¹ / ₄	5 ⁷ / ₁₆	5 ⁷ / ₁₆	5 ¹ / ₄	5 ⁵ / ₁₆	5 ⁵ / ₈	3 ³ / ₈	7 ¹ / ₁₆	2 ¹⁵ / ₁₆	3 ¹ / ₄	1
LHH-1B	1	11 ³ / ₁₆	5 ¹⁵ / ₁₆	6 ¹ / ₄	6	1 ¹ / ₈	5 ⁵ / ₁₆	4 ¹ / ₁₆	5 ⁵ / ₈	3 ¹⁹ / ₃₂	3 ⁷ / ₁₆	1
LHH-1 ¹ / ₂ B	1 ¹ / ₂	15 ³ / ₄	6 ¹ / ₂	7 ¹ / ₄	6 ¹ / ₈	1 ⁵ / ₁₆	1 ¹ / ₈	3 ⁹ / ₁₆	1 ³ / ₁₆	4	3 ⁵ / ₈	1
LHH-2B	2	15	7 ¹ / ₄	8 ⁷ / ₁₆	8 ¹ / ₂	1 ³ / ₈	1 ¹ / ₄	4 ¹⁵ / ₁₆	7 ⁷ / ₈	4 ⁹ / ₁₆	3 ⁷ / ₈	1
LHH-3B	3	17 ¹ / ₈	7 ¹³ / ₁₆	10	10	1 ⁹ / ₁₆	1 ¹ / ₂	5 ³ / ₄	1 ¹ / ₈	5 ⁷ / ₁₆	4 ³ / ₈	1
LHH-5B	5	22 ⁵ / ₈	6 ¹ / ₂	11 ¹ / ₈	7 ⁵ / ₁₆	1 ⁷ / ₈	1 ¹³ / ₁₆	6 ¹³ / ₁₆	1 ³ / ₈	6 ¹ / ₂	3 ⁵ / ₈	3
LHH-8B	8	32 ¹ / ₂	7 ¹³ / ₁₆	15 ¹ / ₁₆	—	2 ³ / ₄	2 ¹ / ₂	9 ¹⁷ / ₃₂	1 ¹³ / ₁₆	8 ³ / ₄	4 ³ / ₁₆	3
LHH-10B	10	32 ¹ / ₂	7 ¹³ / ₁₆	15 ¹ / ₁₆	—	2 ³ / ₄	2 ¹ / ₂	9 ¹⁷ / ₃₂	1 ¹³ / ₁₆	8 ³ / ₄	4 ³ / ₁₆	3
LHH-12B	12	50 ⁵ / ₈	7 ¹³ / ₁₆	20 ⁵ / ₁₆	—	2 ¹⁵ / ₁₆	2 ²⁷ / ₃₂	11 ³ / ₁₆	2 ⁷ / ₁₆	10 ¹¹ / ₁₆	4 ³ / ₁₆	5
LHH-15B	15	50 ⁵ / ₈	7 ¹³ / ₁₆	20 ⁵ / ₁₆	—	2 ¹⁵ / ₁₆	2 ²⁷ / ₃₂	11 ³ / ₁₆	2 ⁷ / ₁₆	10 ¹¹ / ₁₆	4 ³ / ₁₆	5
LHH-20B	20	52 ³ / ₈	12 ¹ / ₈	28 ⁷ / ₈	—	3 ¹ / ₈	3 ⁹ / ₁₆	12 ⁹ / ₁₆	3 ⁹ / ₁₆	12 ¹ / ₂	6 ¹ / ₁₆	6
LHH-25B	25	52 ⁷ / ₈	14 ¹ / ₂	28 ⁷ / ₈	—	3 ¹ / ₈	3 ¹ / ₂	12 ⁹ / ₁₆	3 ⁹ / ₁₆	12 ¹ / ₂	7 ¹ / ₄	8
LHH-30B	30	65	16 ⁷ / ₈	29 ⁵ / ₈	—	4 ³ / ₁₆	4 ³¹ / ₃₂	18 ³ / ₁₆	4 ⁷ / ₁₆	15 ³ / ₁₆	8 ⁷ / ₁₆	10
LHH-40B	40	73 ⁵ / ₁₆	20 ¹ / ₈	29 ⁵ / ₈	—	4 ¹ / ₁₆	6 ³ / ₁₆	22 ¹ / ₄	5 ¹ / ₄	17 ⁵ / ₈	10 ¹ / ₁₆	14
LHH-50B	50	77 ⁵ / ₈	25 ⁷ / ₈	29 ⁵ / ₈	—	4 ³ / ₄	6 ³ / ₄	23 ³ / ₄	6 ⁷ / ₈	20 ¹ / ₄	12 ¹⁵ / ₁₆	20

Dimensions are in inches unless otherwise indicated.